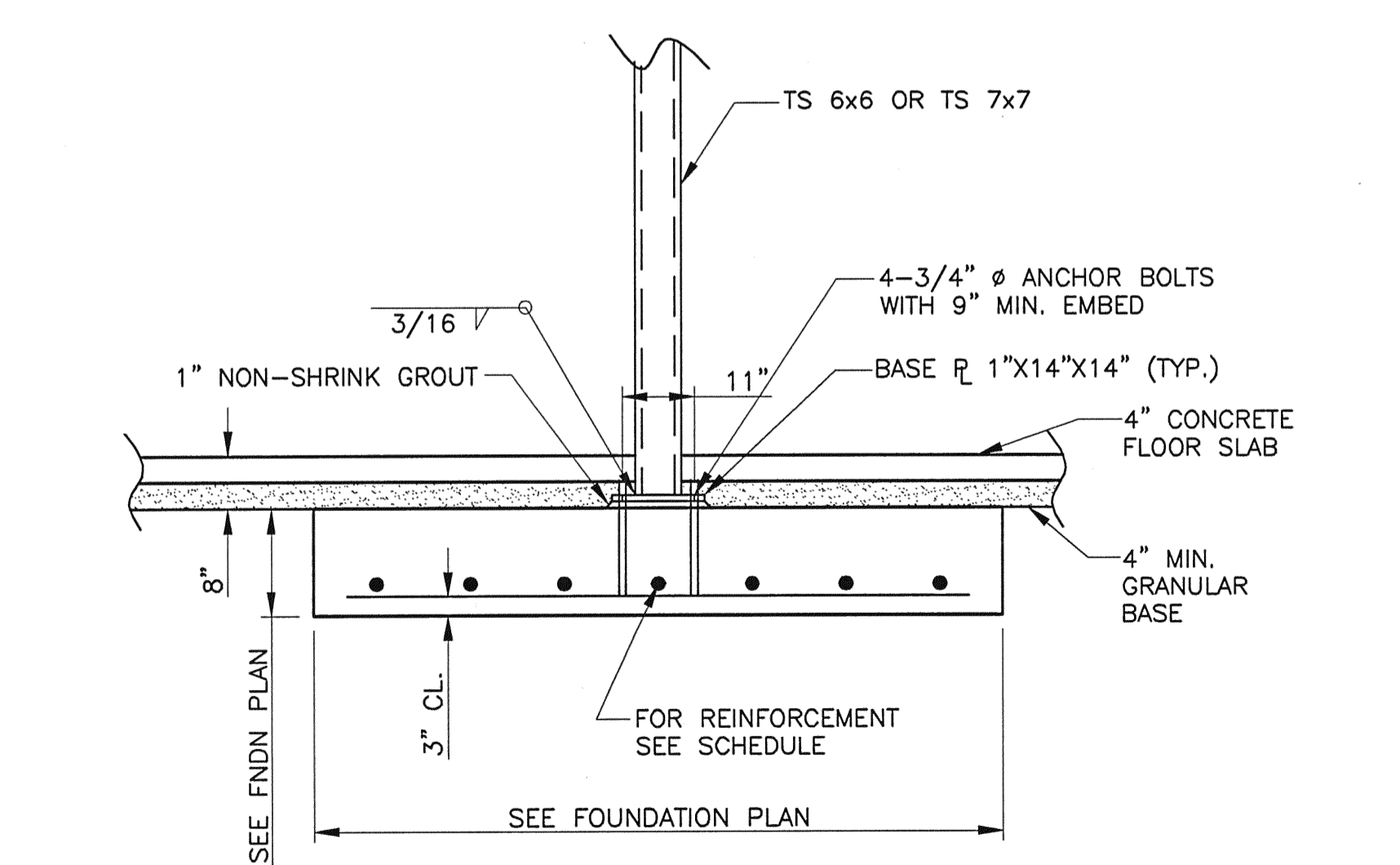
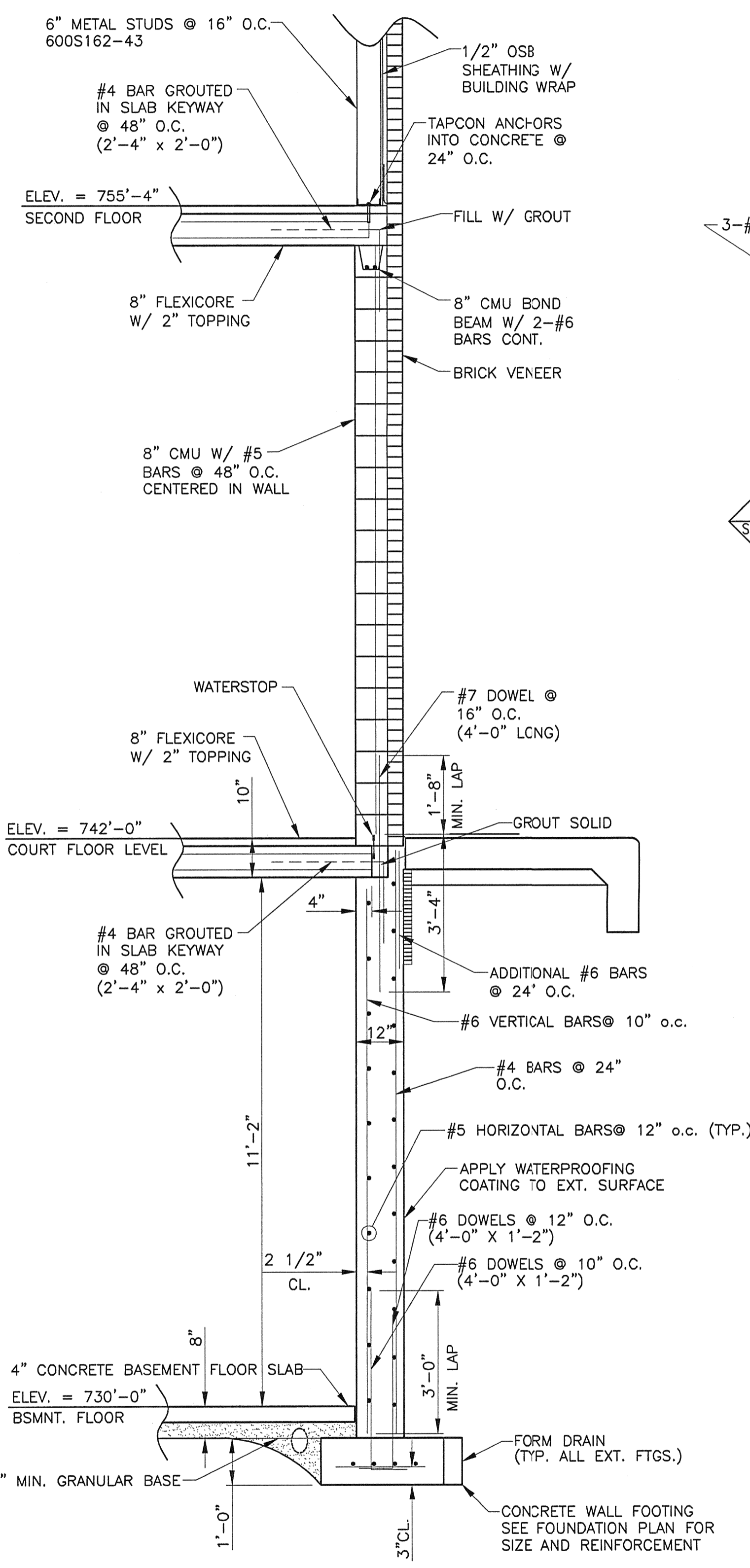


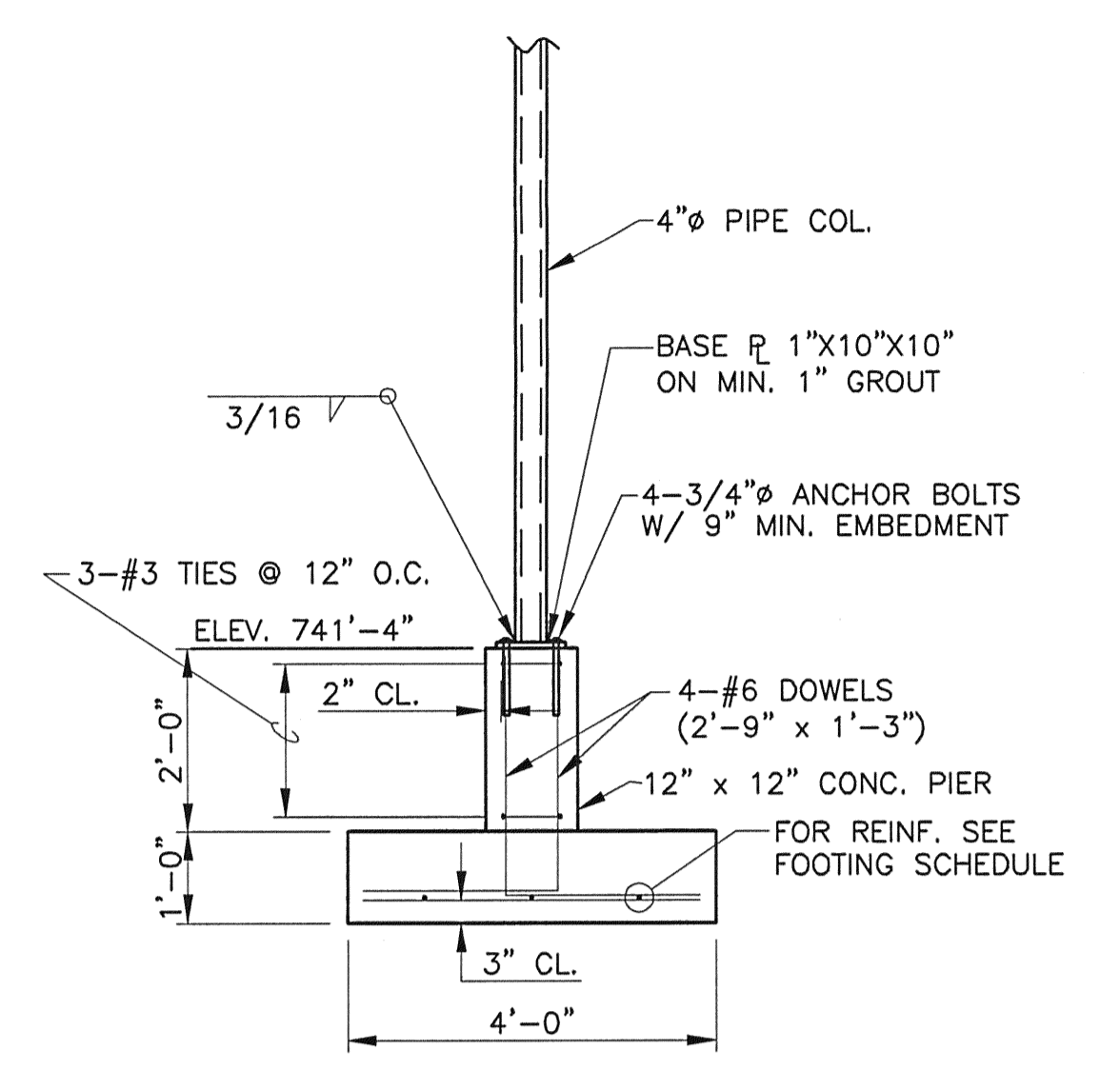
1  
S-6  
**KELLY AVENUE WALL SECTION**



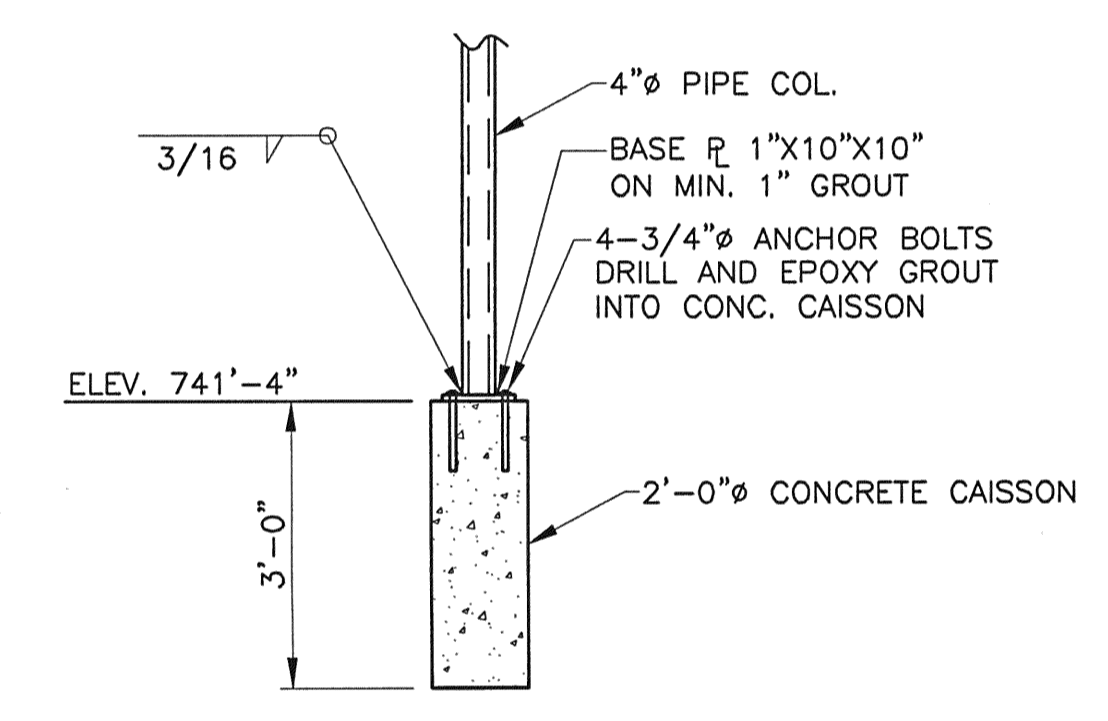
4  
S-6  
**TYPICAL INTERIOR COLUMN FOOTING DETAIL**



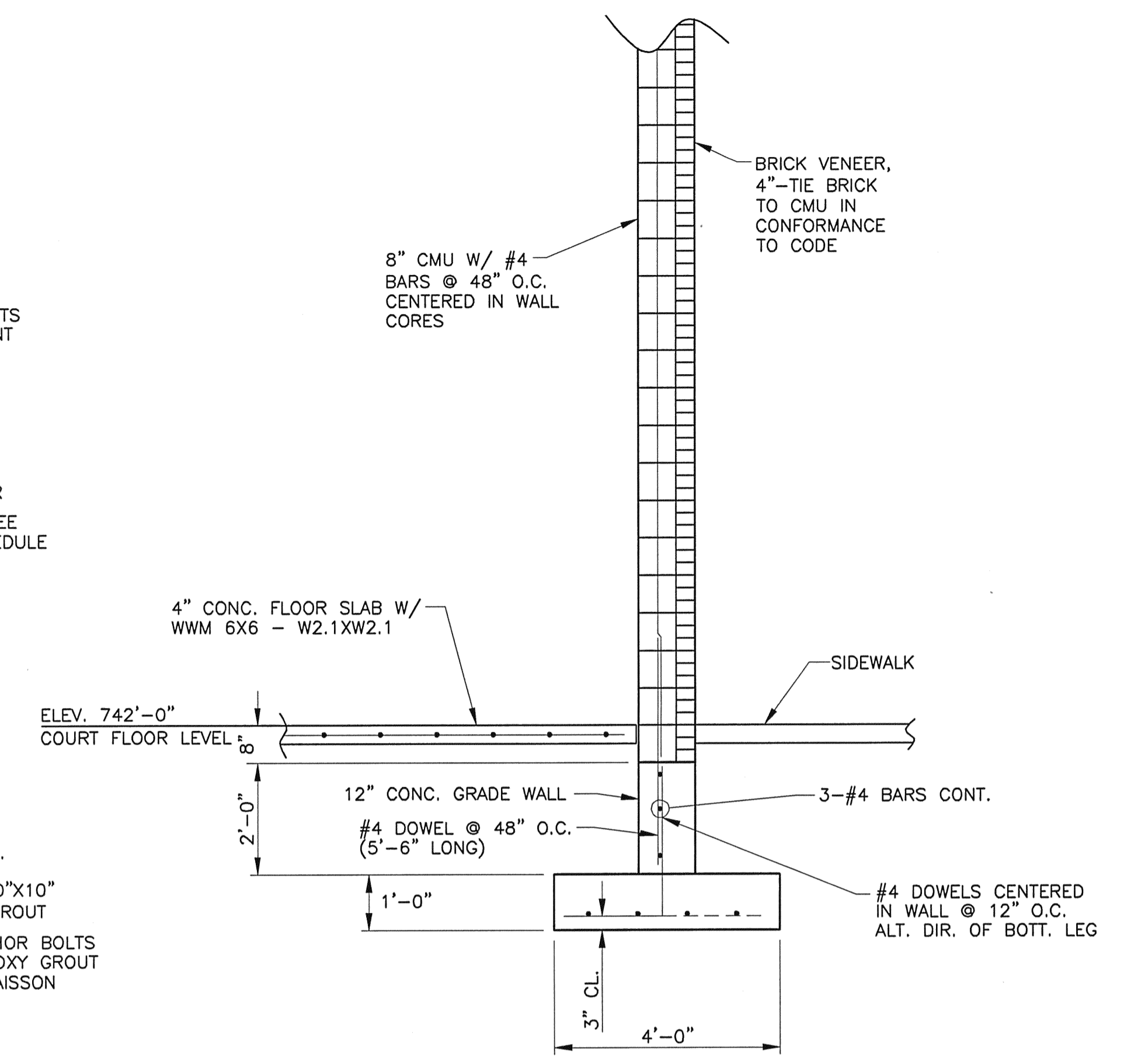
2  
S-6  
**BASEMENT WALL SECTION**



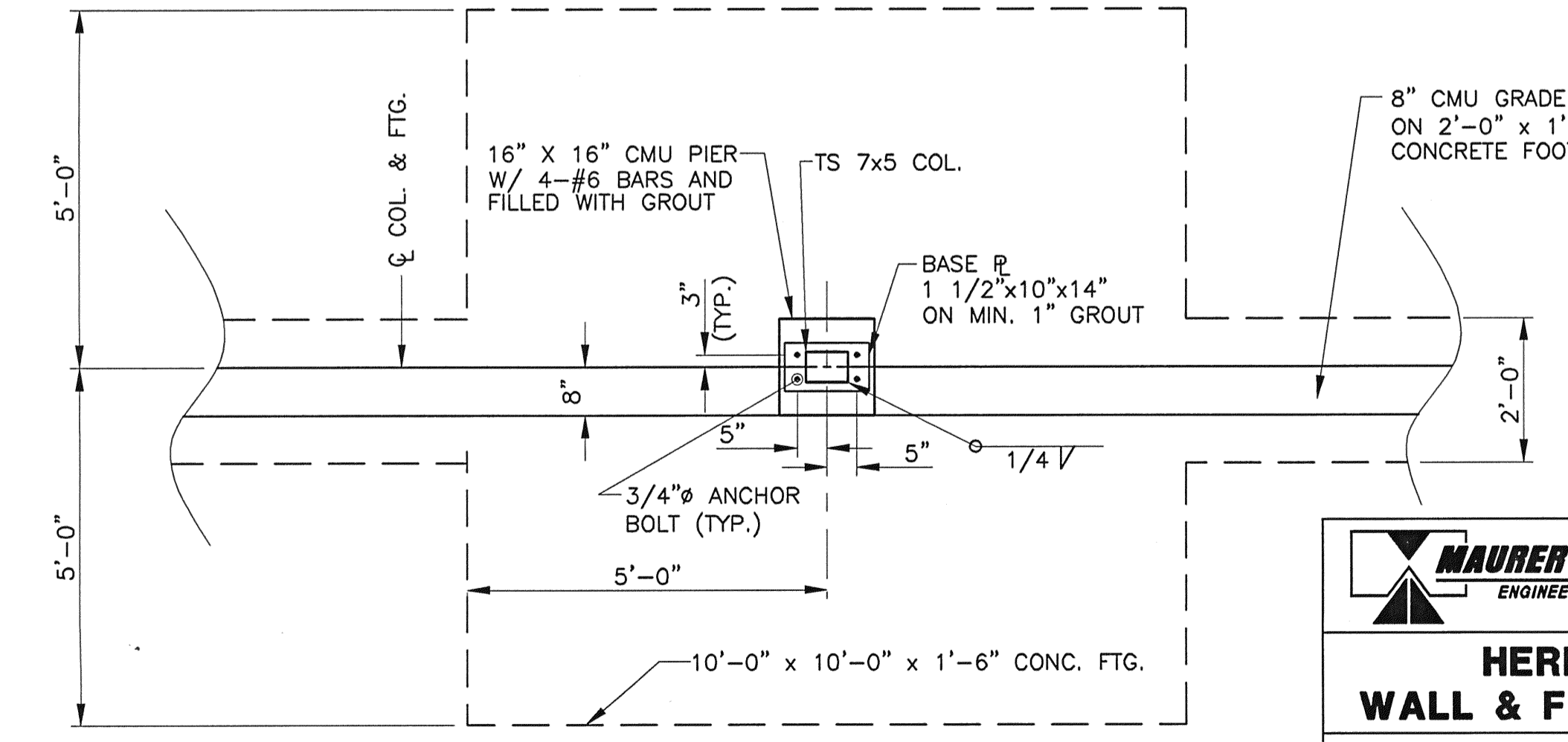
6  
S-6  
**COURTYARD PIER AND FOOTING**



7  
S-6  
**TYP. COURTYARD COL. FOUNDATION**



5  
S-6  
**MARIETTA AVE. SECTION (TYPICAL CONC. GRADE WALL)**



3  
S-6  
**TYPICAL COURTYARD SIDE COLUMN BEARING ON CONCRETE WALL DETAIL**

**MAURER & STUTZ, INC.**  
ENGINEERS SURVEYORS  
7615 NORTH HARKER DRIVE  
PEORIA, ILLINOIS 61615  
PH. (309) 693-7615  
FAX (309) 693-7616

**HERITAGE SQUARE  
WALL & FOUNDATION DETAILS**

FOR: **PEORIA CONSTRUCTION CO.**

REVISIONS	DATE 6/14/04	PROJECT NO. 233-04032
DESIGNED KEF	CHECKED LVT	DRAWING NO. S-6
DRAWN SGM	CHECKED DLM	SHEET OF

S:\333\2004\333\04032\WALL SECTION.DWG