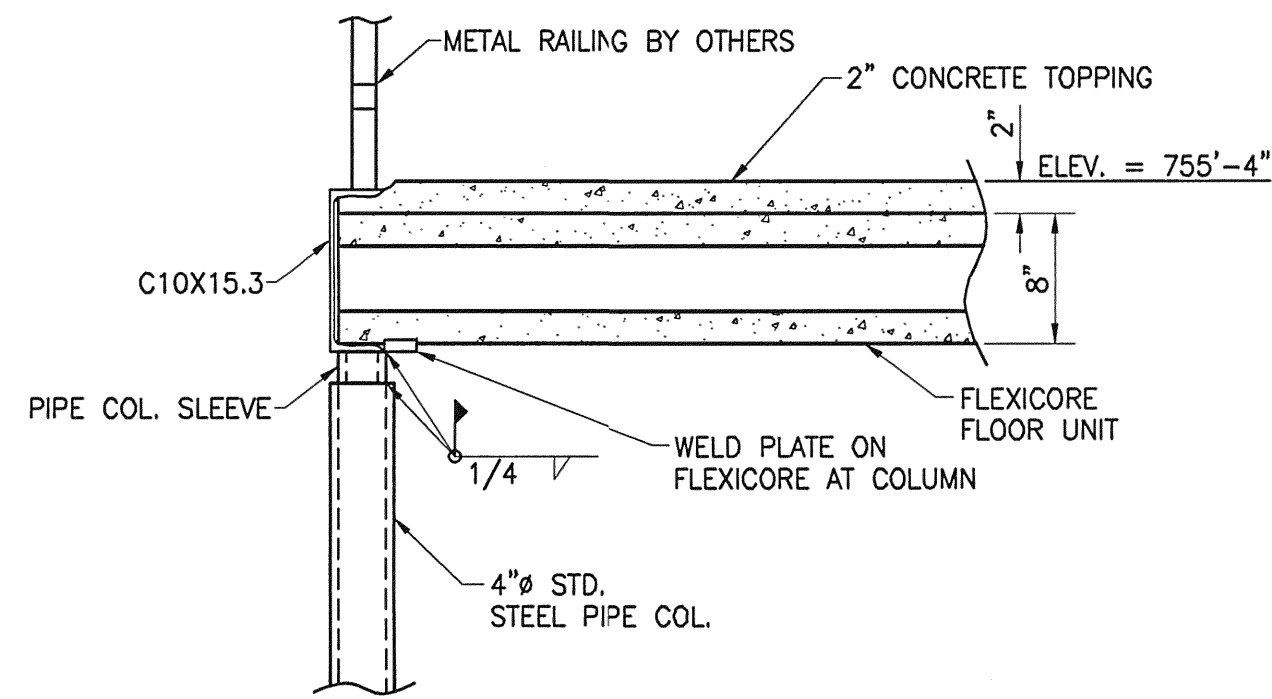
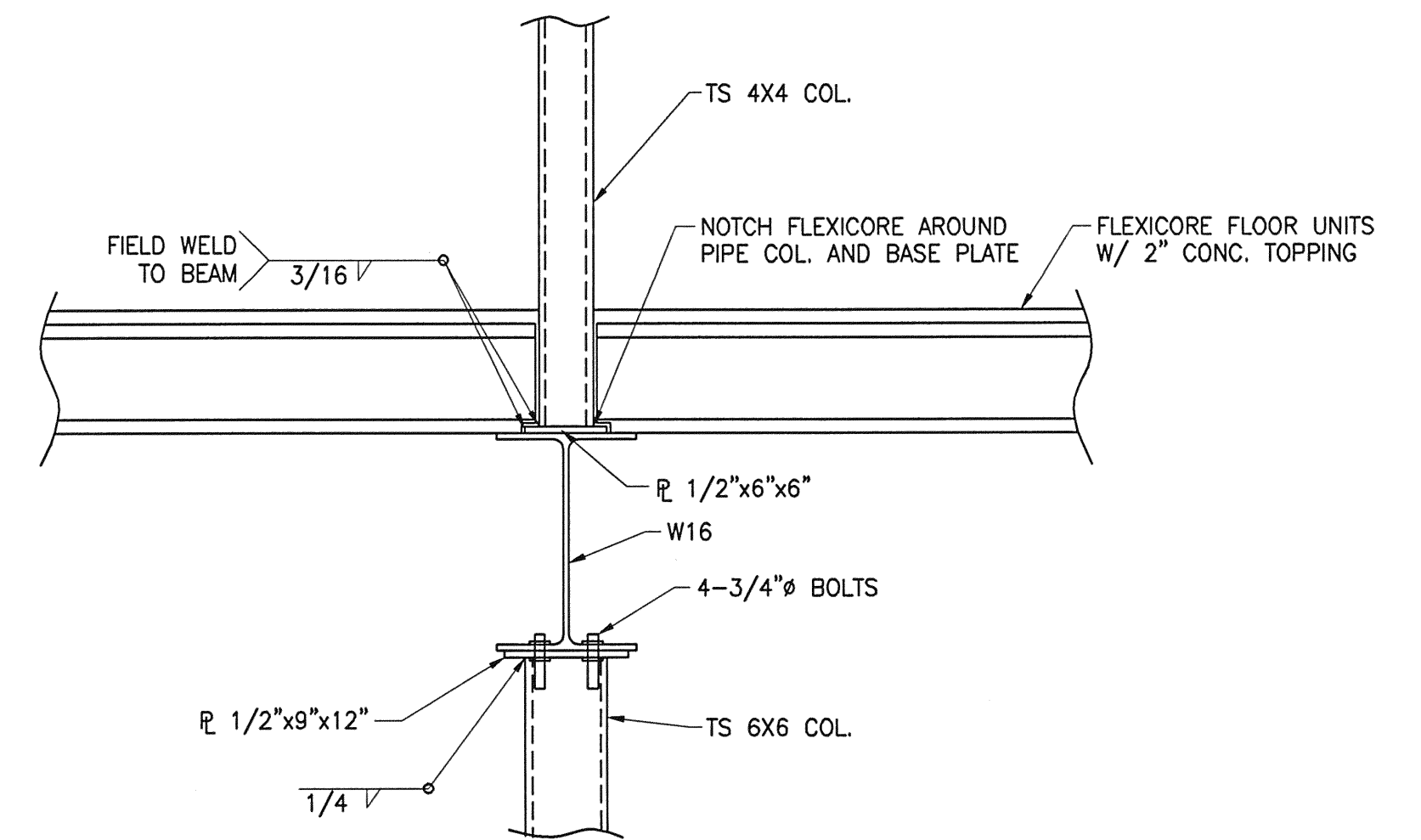


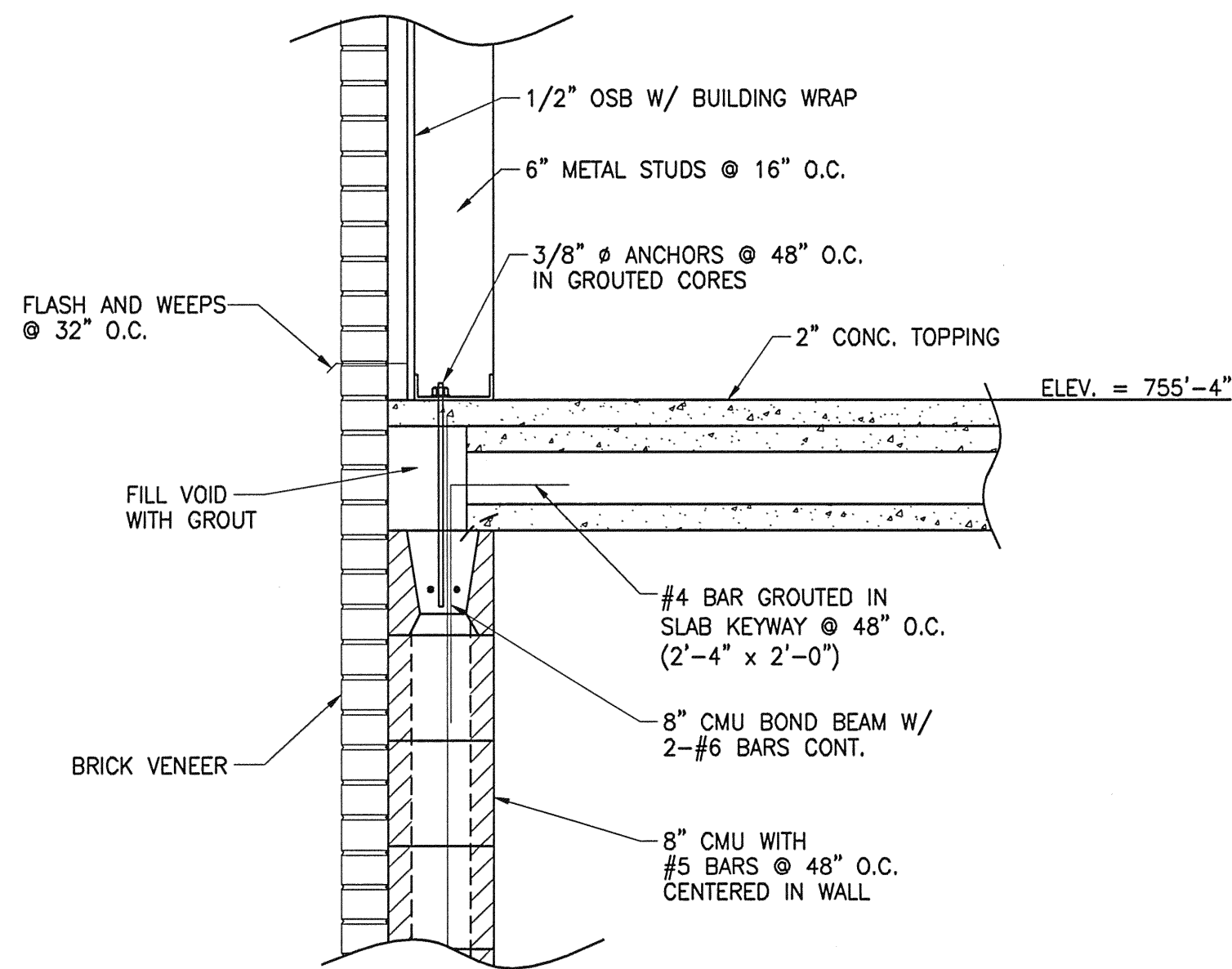
1 SECTION AT INT. FLOOR BEAM  
SCALE: 1" = 1'-0"



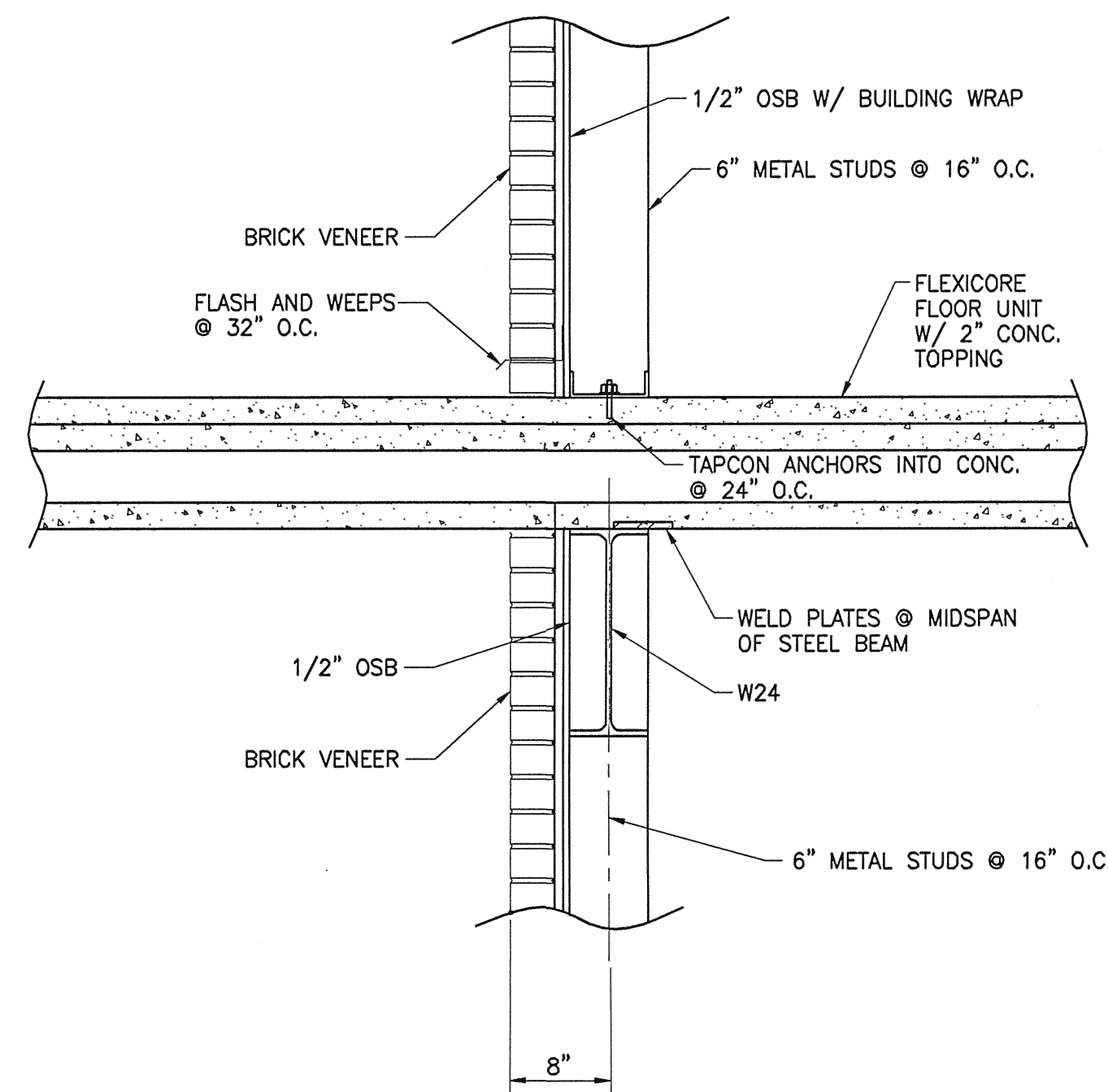
2 SECTION AT COURTYARD BEAM  
SCALE: 1" = 1'-0"



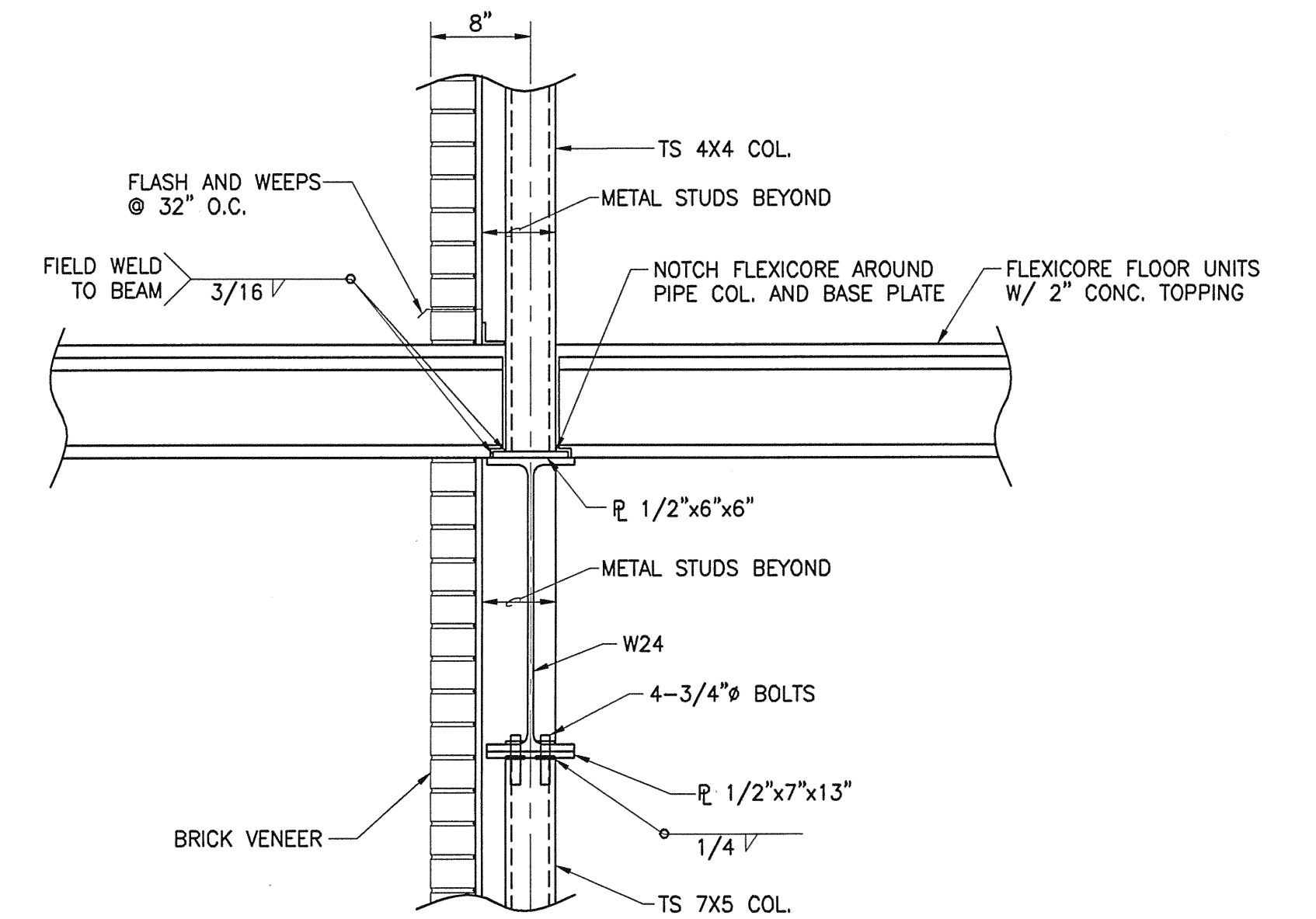
3 TYP. COLUMN TO INT. BEAM CONN.  
SCALE: 1" = 1'-0"



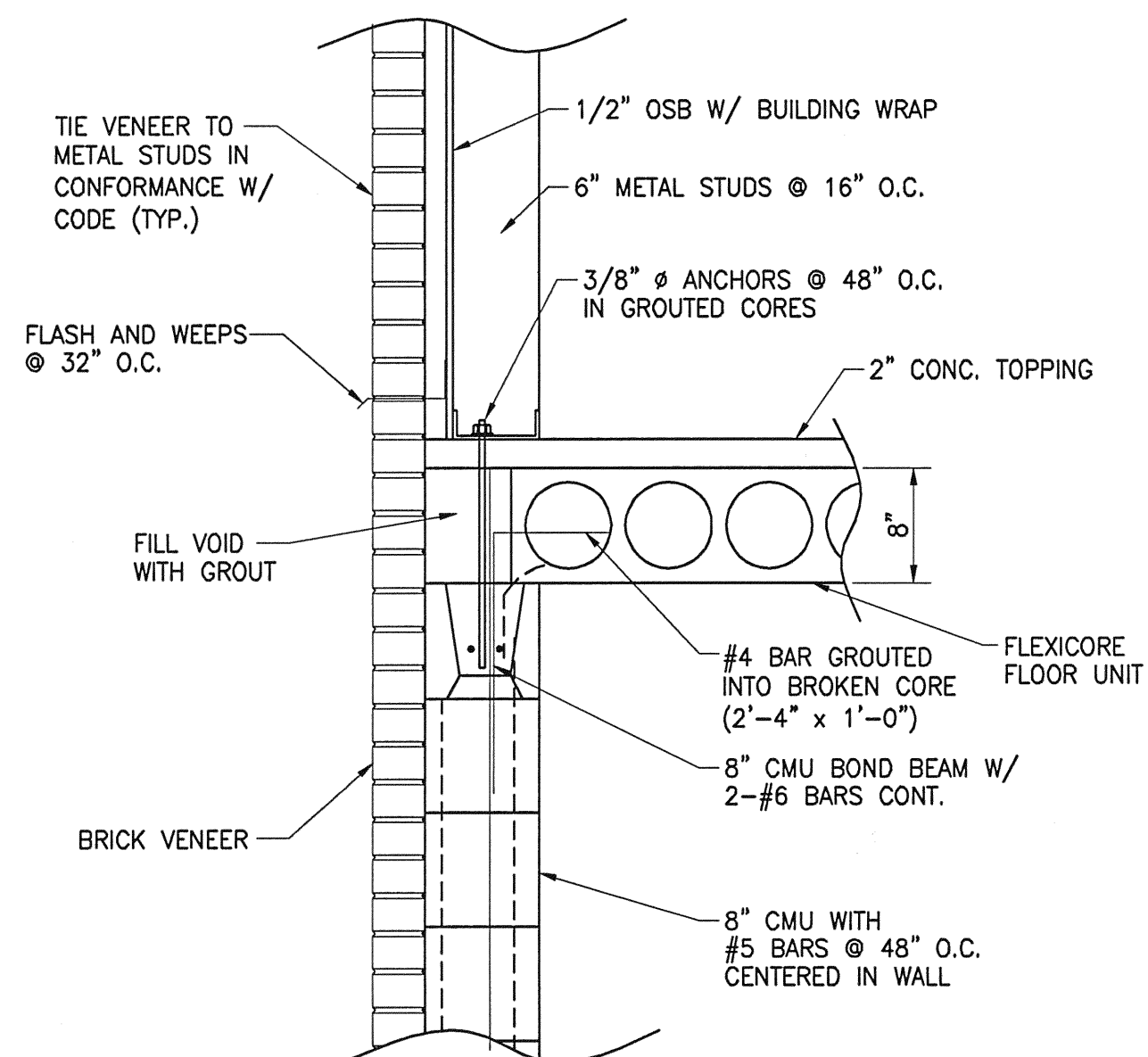
4 SECTION AT BRG. CMU WALL  
SCALE: 1" = 1'-0"



6 SECTION  
SCALE: 1" = 1'-0"

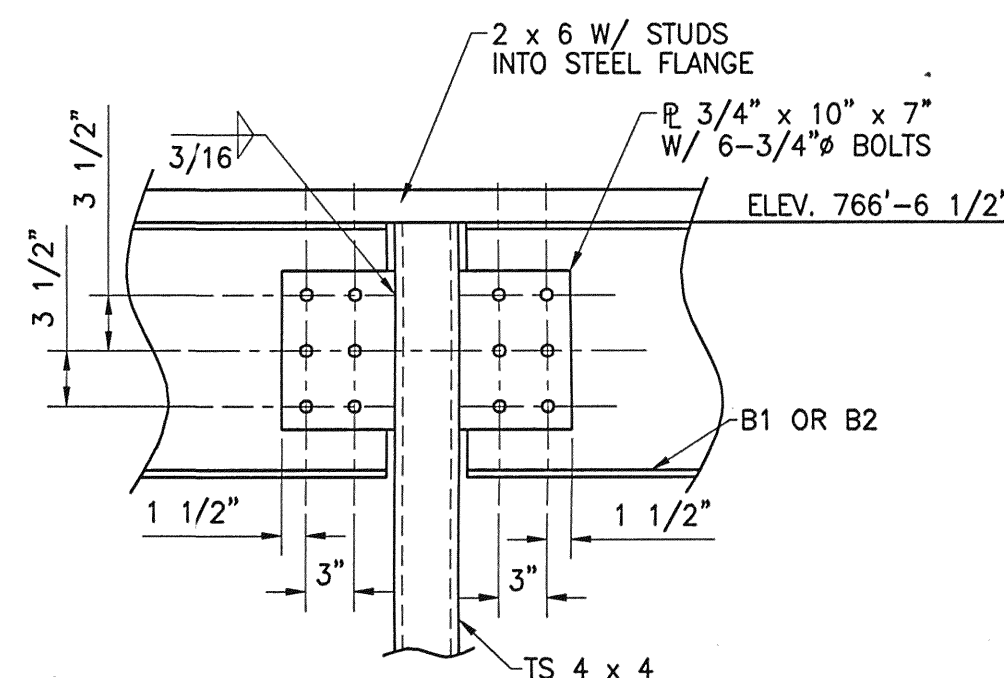


7 TYP. COLUMN TO BEAM CONN.  
SCALE: 1" = 1'-0"

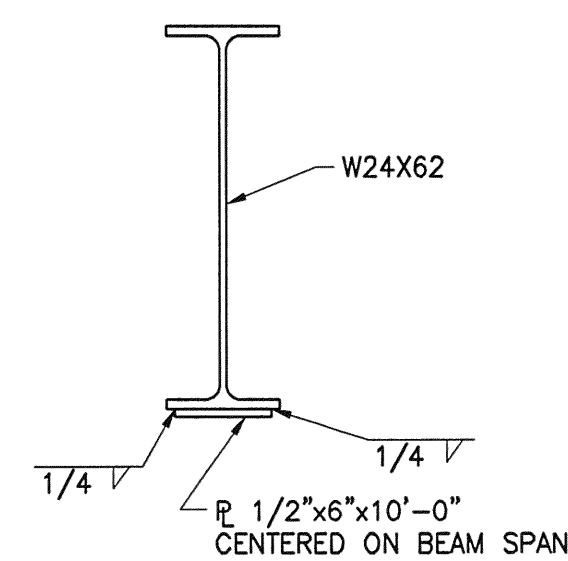


5 SECTION AT NON-BRG. CMU WALL  
SCALE: 1" = 1'-0"

NOTE:  
CONNECT EA. TRUSS BRG. TO WOOD NAILER  
WITH H10 HOLD-DOWN TIES EA. TRUSS



9 TYPICAL BEAM COLUMN CONN.  
SCALE: 1" = 1'-0"



8 BEAM B5 COVER PLATE DETAIL  
SCALE: 1" = 1'-0"

**MAURER & STUTZ, INC.**  
ENGINEERS SURVEYORS  
7615 NORTH HARKER DRIVE  
PEORIA, ILLINOIS 61615  
PH. (309) 693-7615  
FAX (309) 693-7616

**HERITAGE SQUARE  
BEAM FRAMING DETAILS**

FOR: **PEORIA CONSTRUCTION CO.**

REVISIONS	DATE 6/14/04	PROJECT NO. 233-04032
	DESIGNED KEF	DRAWING NO. S-8
	CHECKED LVT	SHEET OF
	DRAWN BRW	
FIELD BK.	CHECKED DLM	