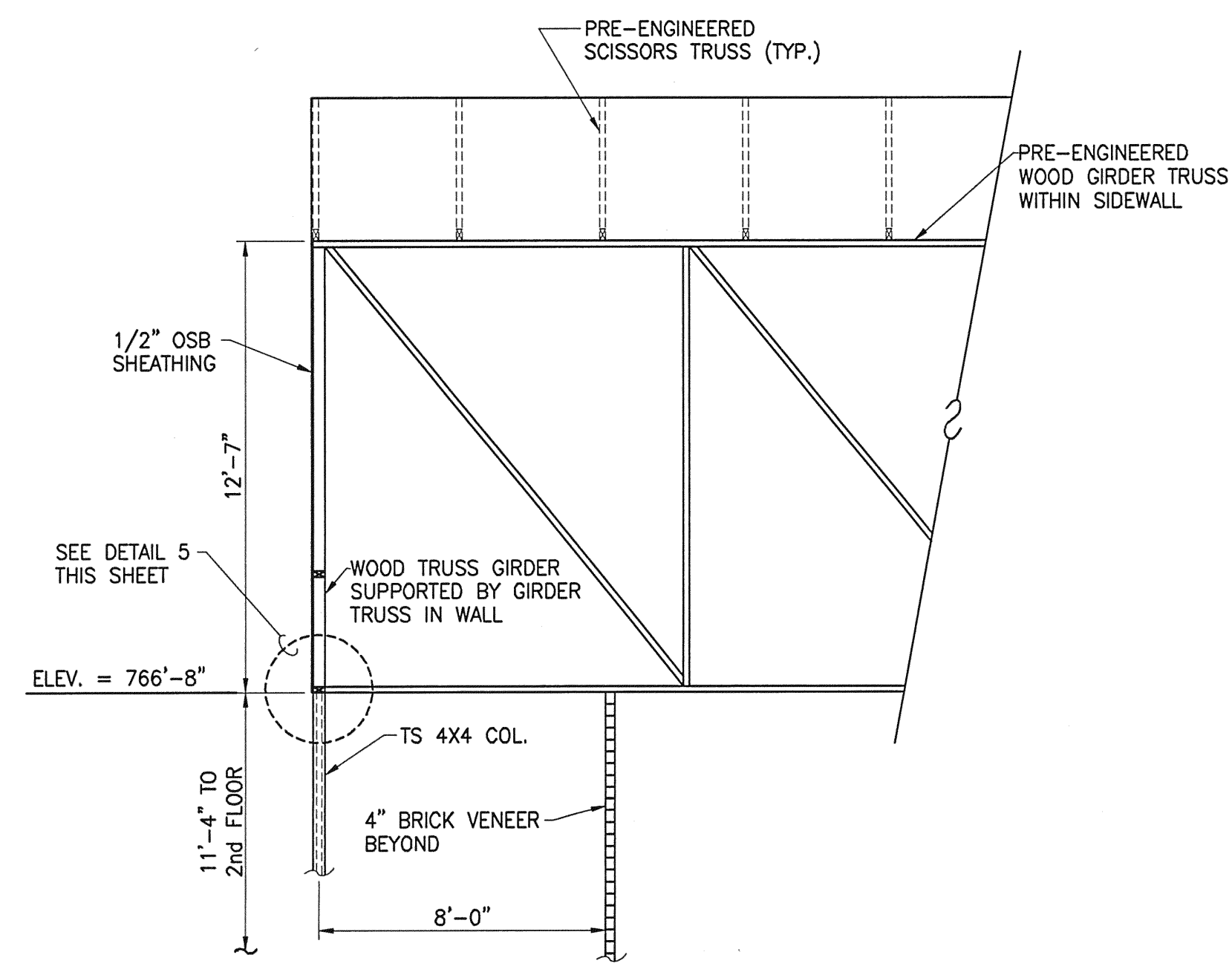
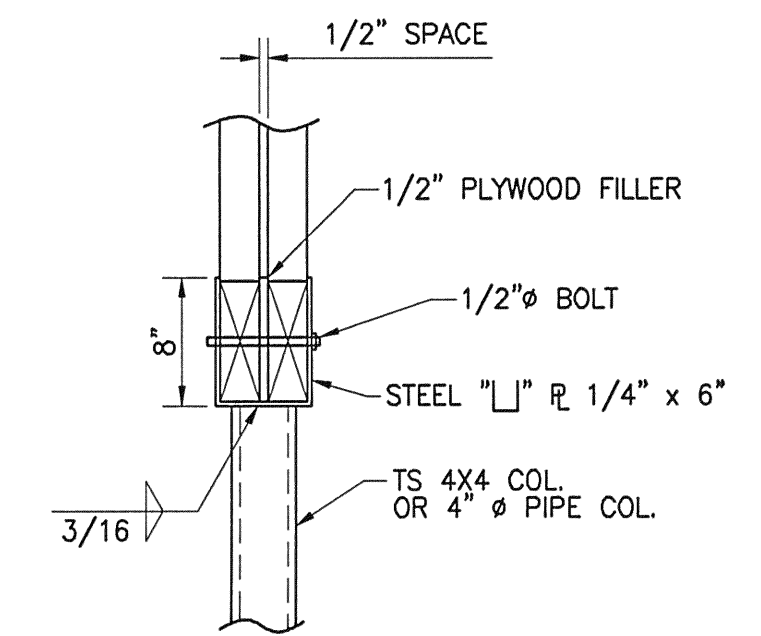


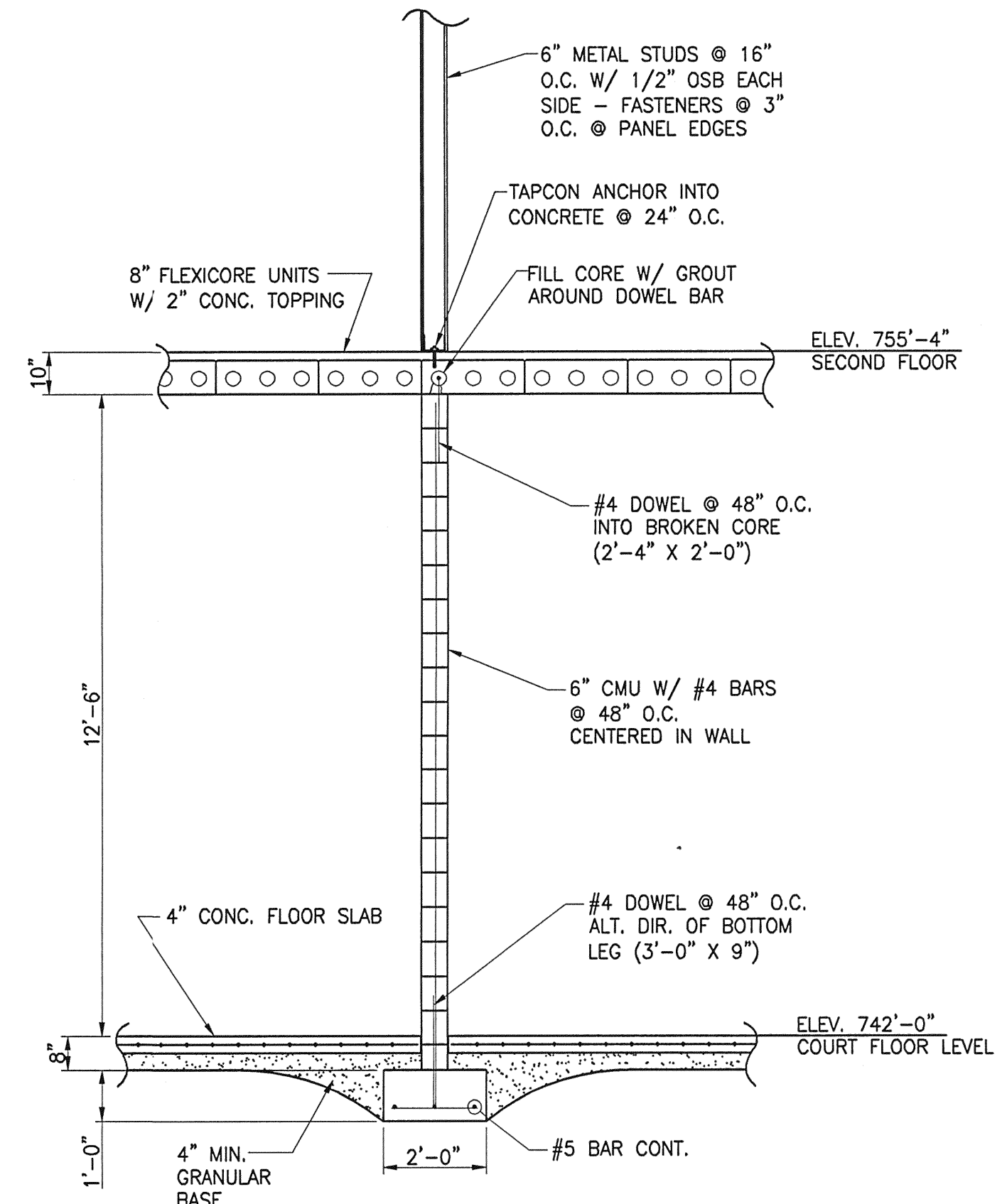
**SECTION THRU TOWER**  
SCALE: 3/8" = 1'-0"



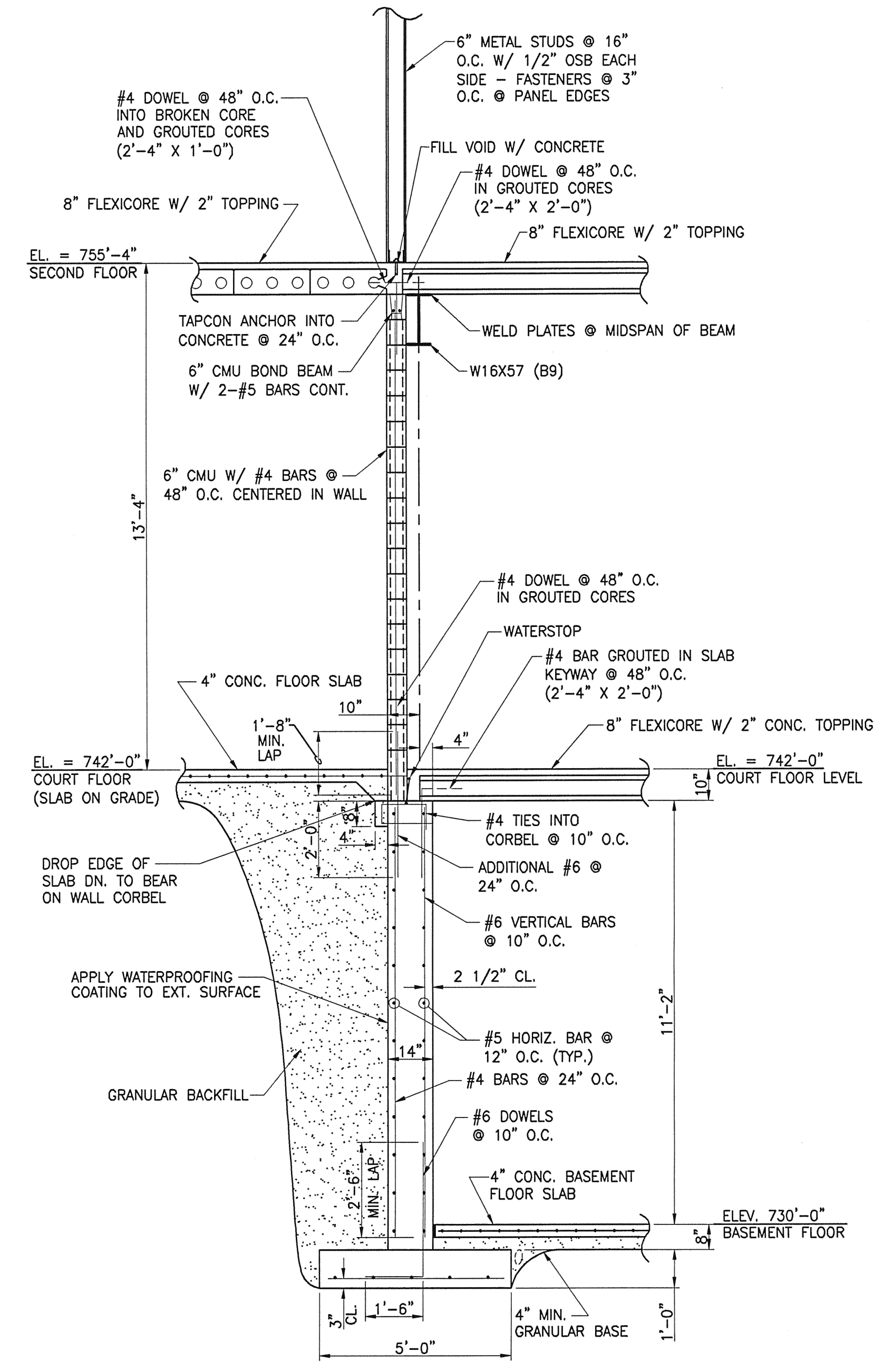
**SECTION THRU TOWER WALL**  
SCALE: 1/4" = 1'-0"



**GIRDER TRUSS BEARING AT COL. DETAIL**  
SCALE: 1" = 1'-0"



**SECTION THRU INTERIOR SHEAR WALL**  
SCALE: 3/8" = 1'-0"



**INT. SHEAR WALL SECTION**  
SCALE: 3/8" = 1'-0"

**MAURER & STUTZ, INC.**  
ENGINEERS SURVEYORS  
7615 NORTH HARKER DRIVE  
PEORIA, ILLINOIS 61615  
PH. (309) 693-7615  
FAX (309) 693-7616

**HERITAGE SQUARE TRUSS & WALL DETAILS**

FOR: <b>PEORIA CONSTRUCTION CO.</b>		
REVISIONS	DATE	PROJECT NO.
	6/14/04	233-04032
	DESIGNED KEF	DRAWING NO.
	CHECKED LVT	S-9
	DRAWN BRW	SHEET OF
FIELD BK.	CHECKED DLM	

S:\233\23304032\04032\04032.DWG