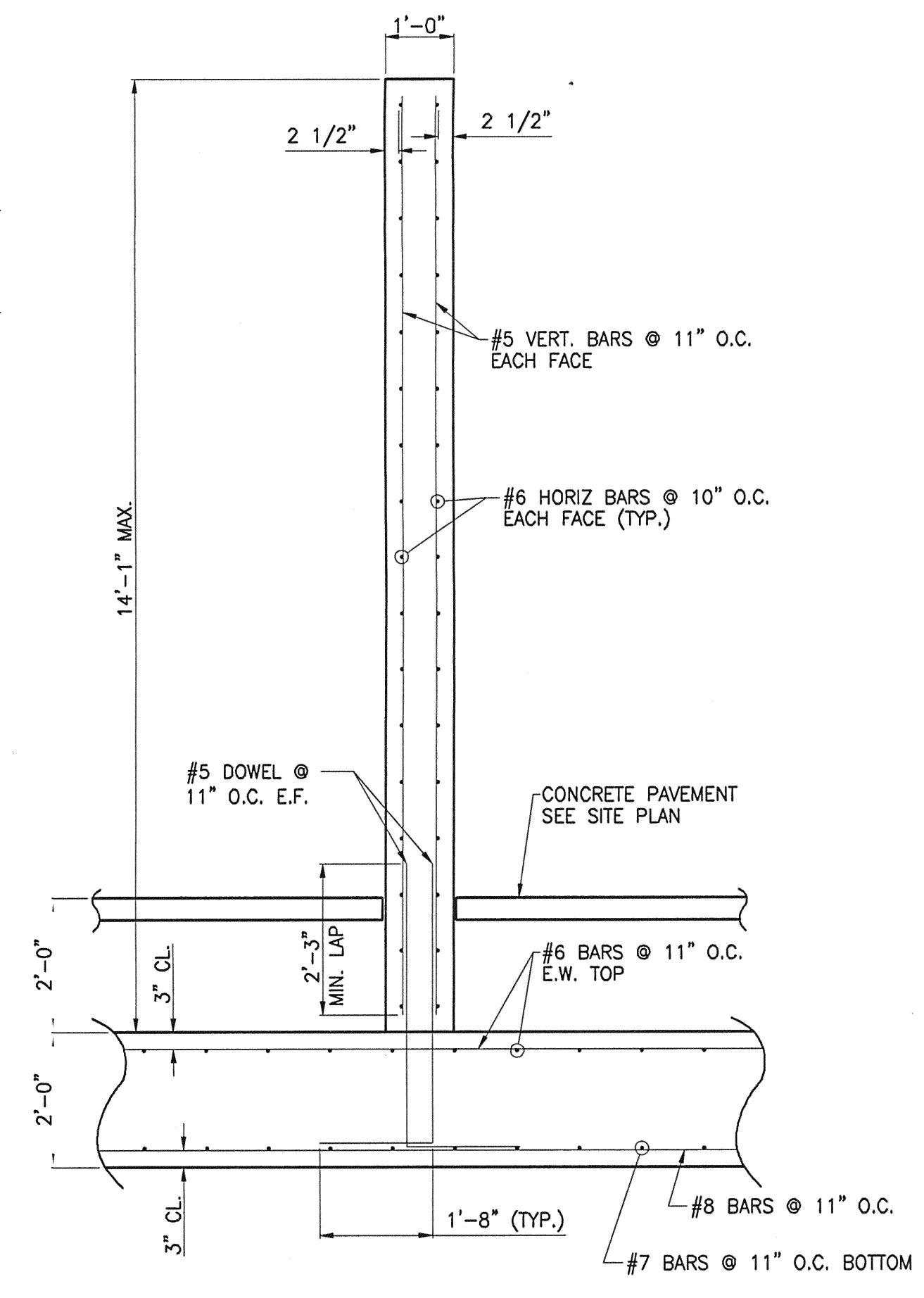
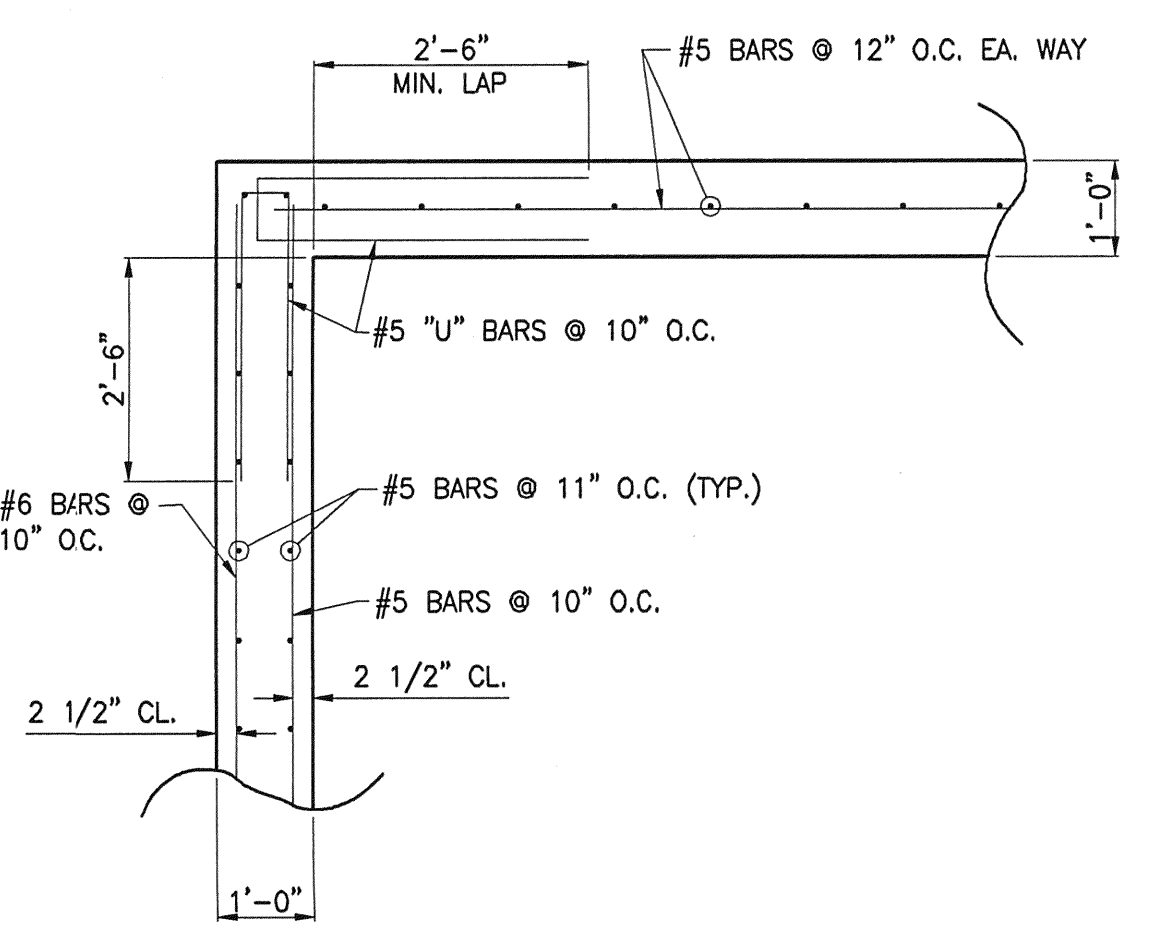


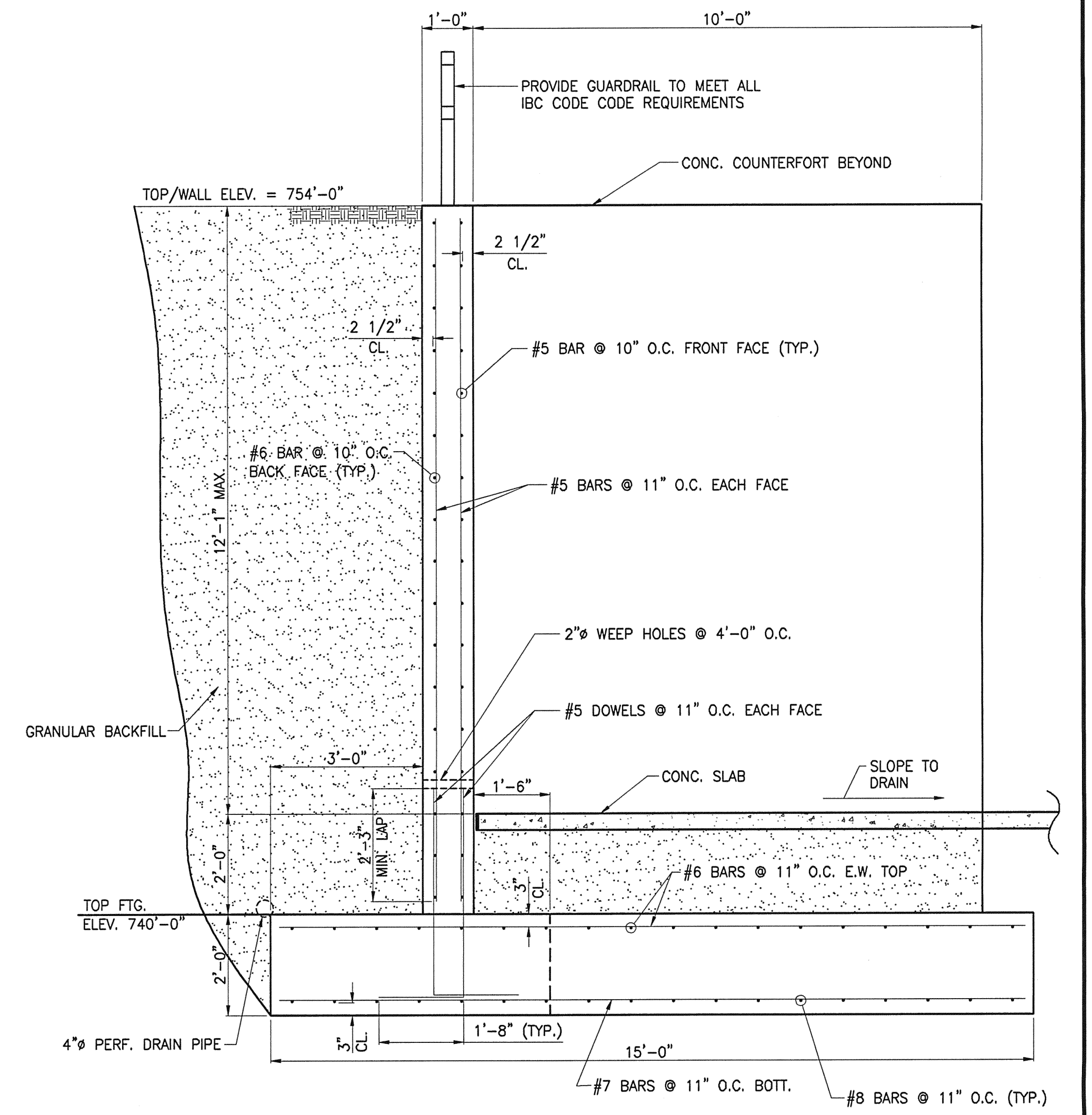
1
S-10
COUNTERFORT RETAINING WALL PLAN VIEW
SCALE: 1/4" = 1'-0"



3
S-10
SECTION THRU COUNTERFORT
SCALE: 1/2" = 1'-0"



4
S-10
RETAINING WALL CORNER REINF. PLAN DETAIL
SCALE: 1/2" = 1'-0"



2
S-10
SECTION THRU RETAINING WALL
SCALE: 1/2" = 1'-0"

MAURER & STUTZ, INC.
ENGINEERS SURVEYORS
7615 NORTH HARKER DRIVE
PEORIA, ILLINOIS 61615
PH. (309) 693-7615
FAX (309) 693-7616

**HERITAGE SQUARE
RETAINING WALL DETAILS**

FOR: **PEORIA CONSTRUCTION CO.**

REVISIONS	DATE	6/14/04	PROJECT NO.
	DESIGNED	KEF	233-04032
	CHECKED	LVT	DRAWING NO.
	DRAWN	BRW	S-10
FIELD BK.	CHECKED	DLM	SHEET OF

S:\233\23304032\DWG\DETAIL 4.DWG