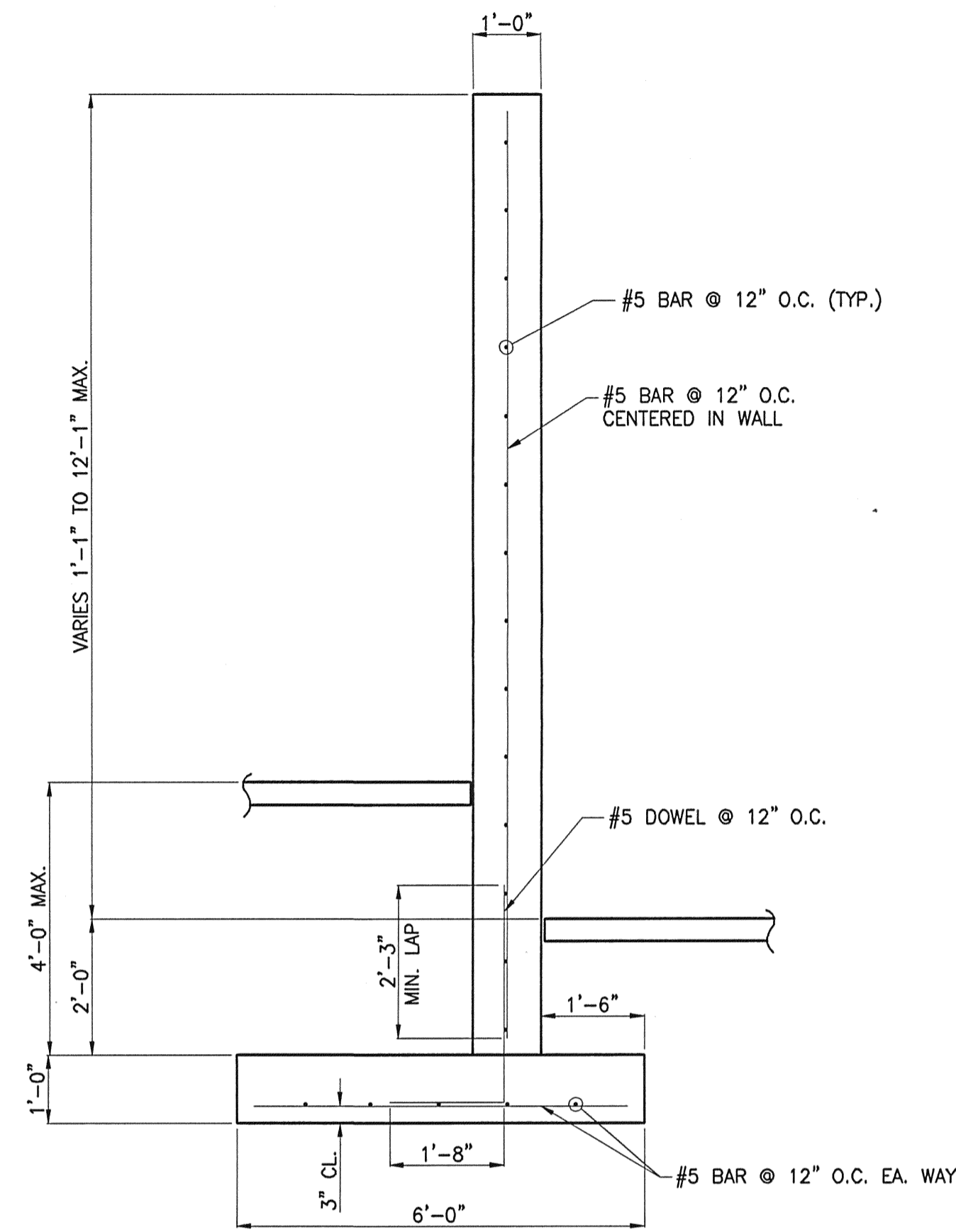
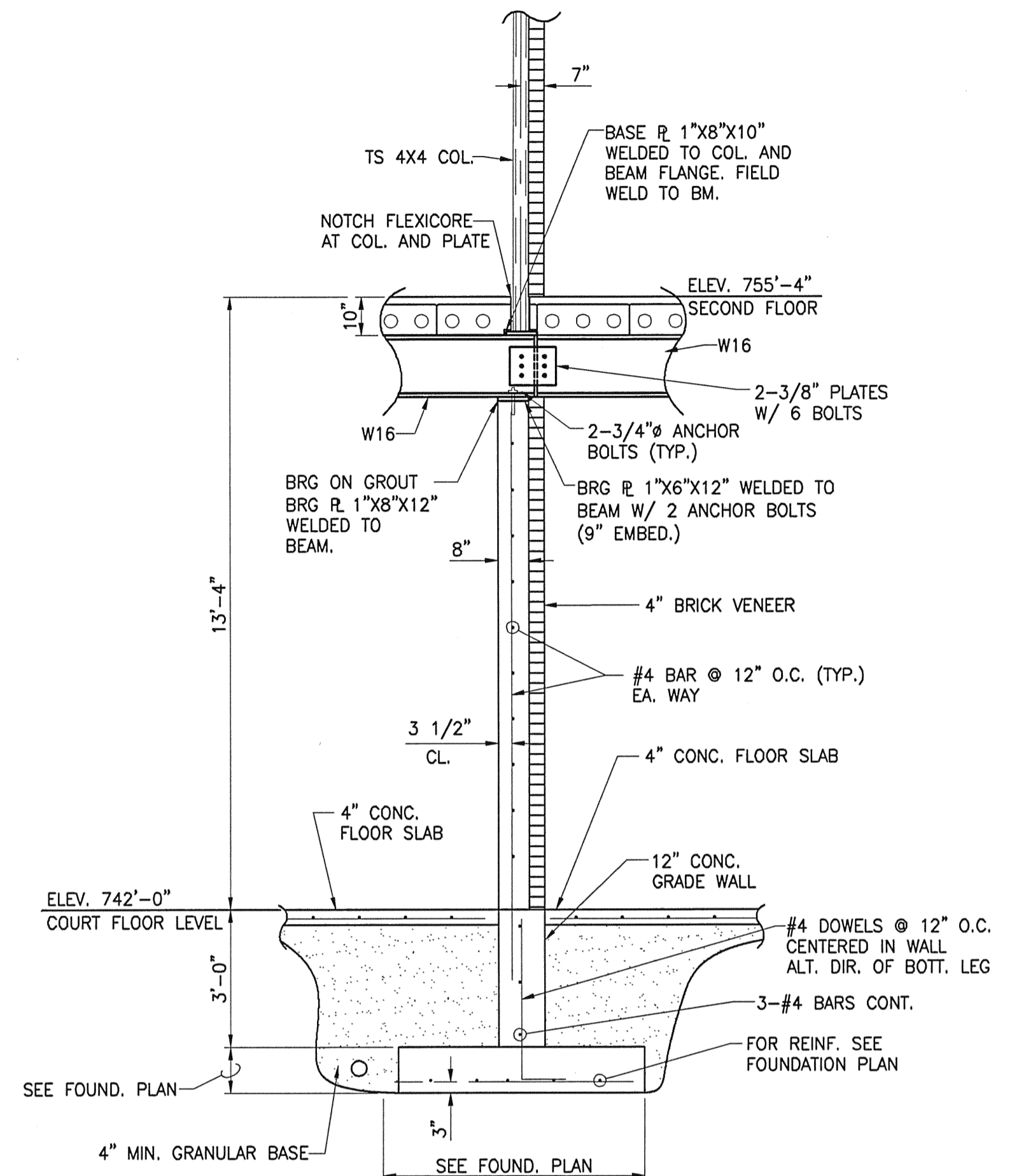


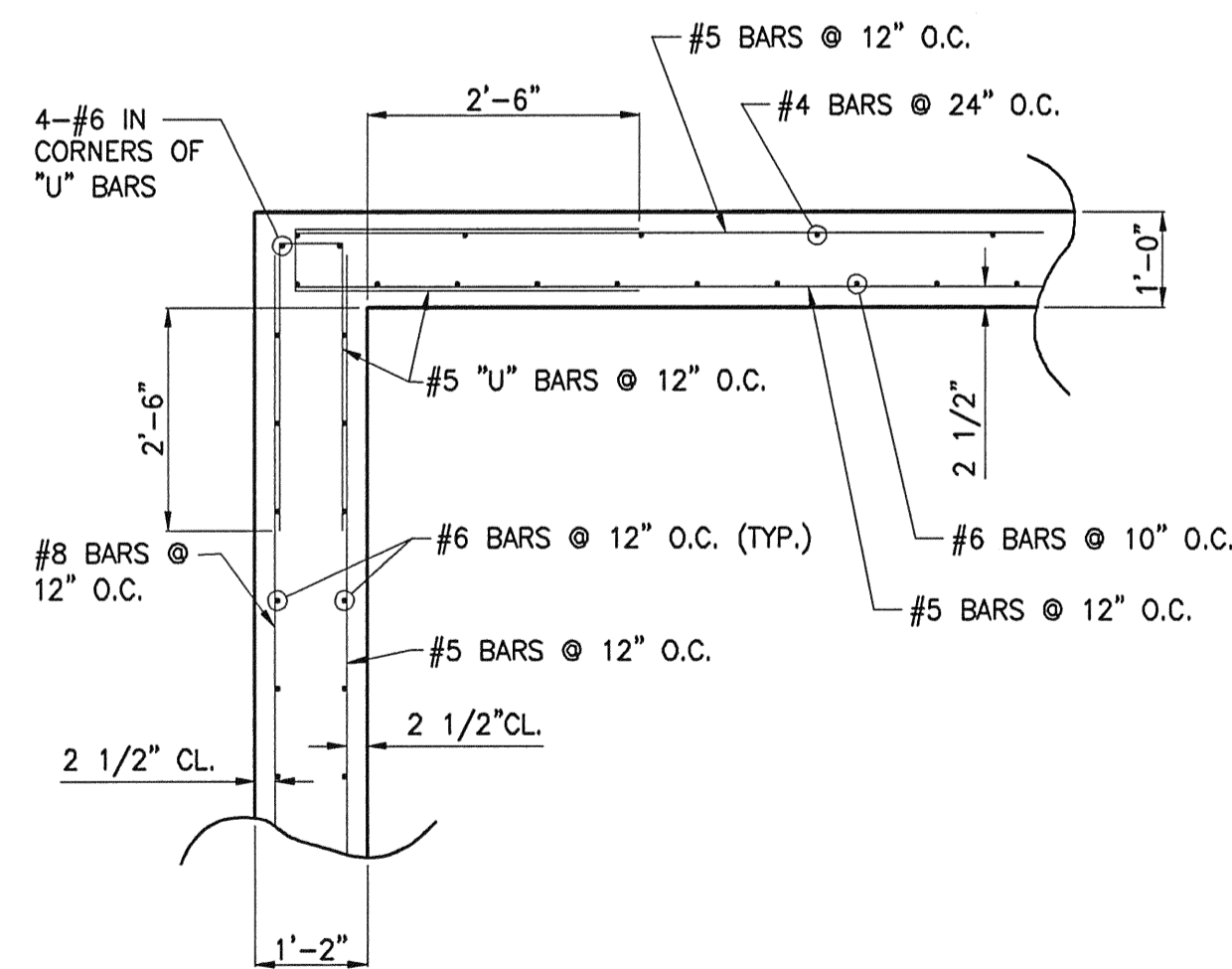
1 SECTION THRU RETAINING WALL
SCALE: 1/2" = 1'-0"



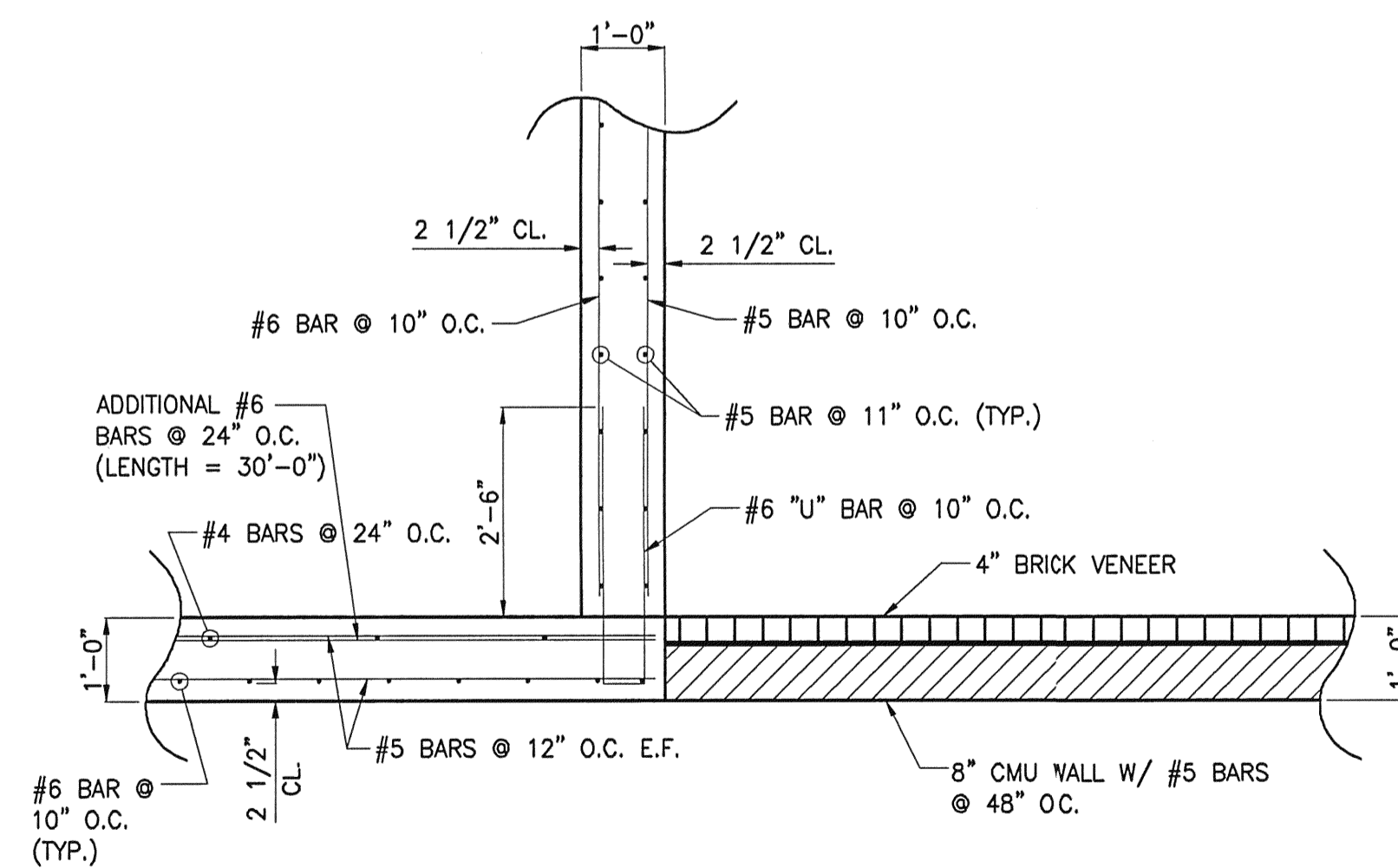
4 SECTION THRU RETAINING WALL
SCALE: 1/2" = 1'-0"



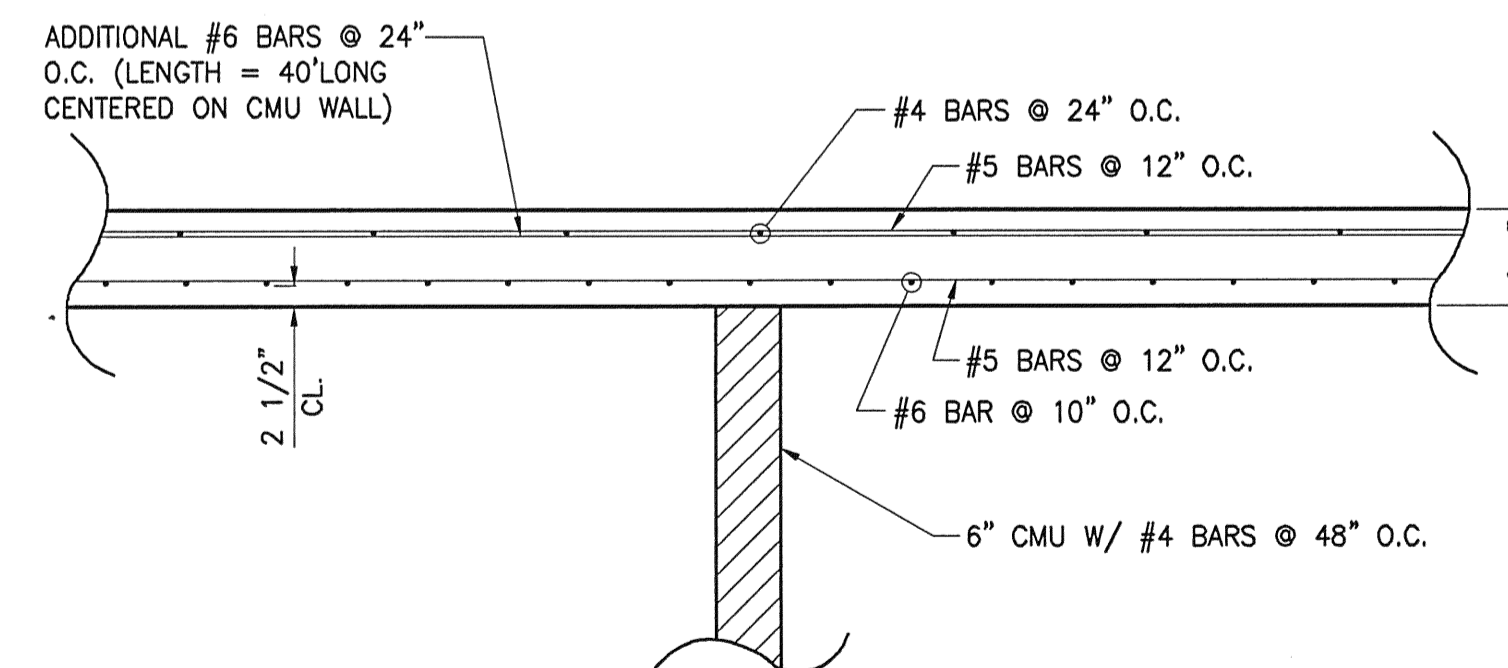
5 EXT. WALL SECTION AT COL. AND BEAM BRG.
SCALE: 3/8" = 1'-0"



2 WALL CORNER REINF. PLAN DETAIL
SCALE: 1/2" = 1'-0"



3 REINF. PLAN DETAIL AT WALL INTERSECTION
SCALE: 1/2" = 1'-0"



6 DETAIL WALL INTERSECTION
SCALE: 1/2" = 1'-0"



HERITAGE SQUARE			
WALL SECTIONS AND RETAINING WALL DETAILS			
FOR: PEORIA CONSTRUCTION CO.			
REVISIONS	DATE	6/14/04	PROJECT NO.
	DESIGNED	KEF	233-04032
	CHECKED	LVT	DRAWING NO.
	DRAWN	BRW	S-11
FIELD BK.	CHECKED	DLM	SHEET OF