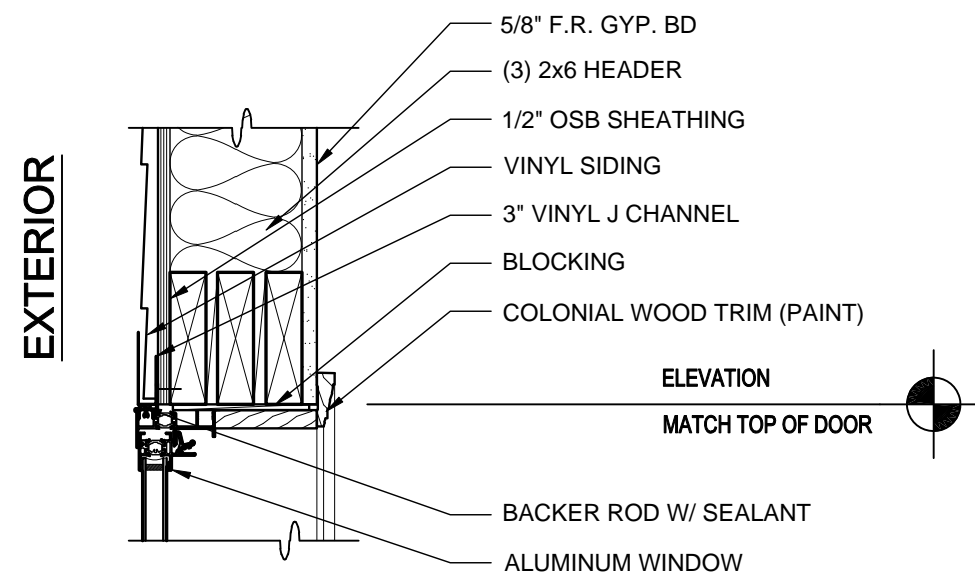
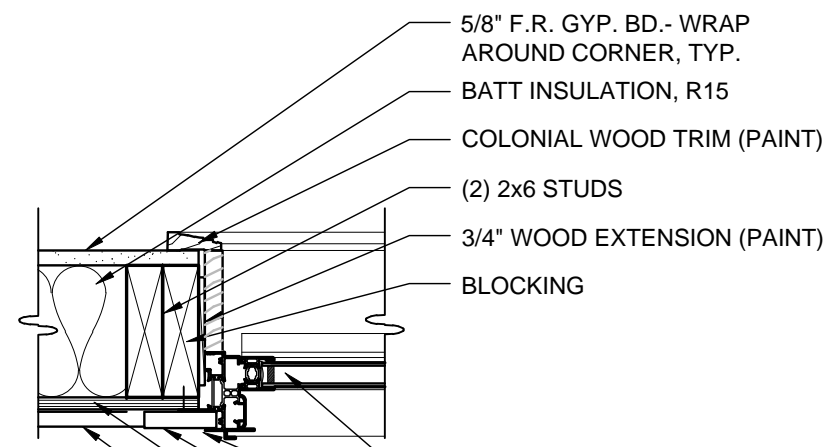


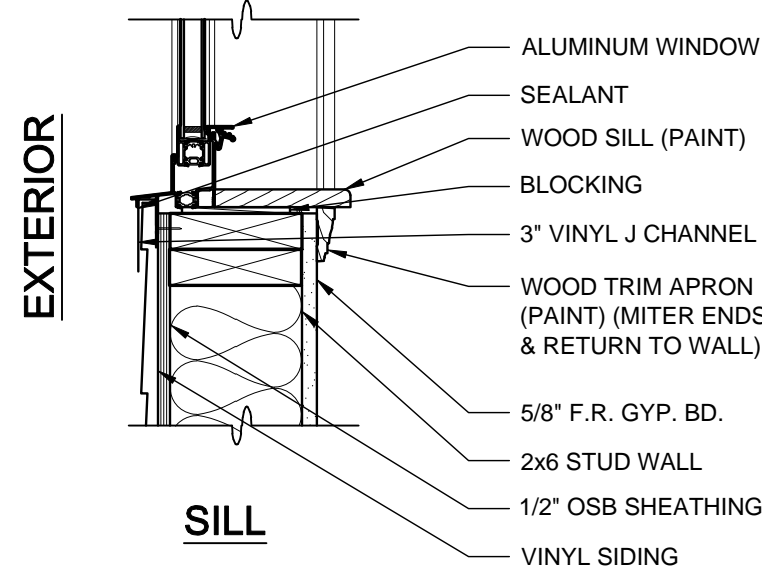
Xref files: \\090282.00-va-office-main-mp1-first floor plan | \\090282.00-va-seniors first floor plan | \\090282.00-va-seniors second floor plan | \\090282.00-va-singles first floor plan | \\090282.00-va-singles second floor plan | \\090282.00-va-townhouse first floor plan | \\090282.00-va-townhouse second floor plan | \\090282.00-va-schedules.dwg | DATE: 07/01/2009 | TIME: 13:14 | J: jcollins | P: \\peter housing authority\2009\090282.00-pha - harrison phase 2 office & seniors.dwg | SHEETS\090282.00-va



HEAD



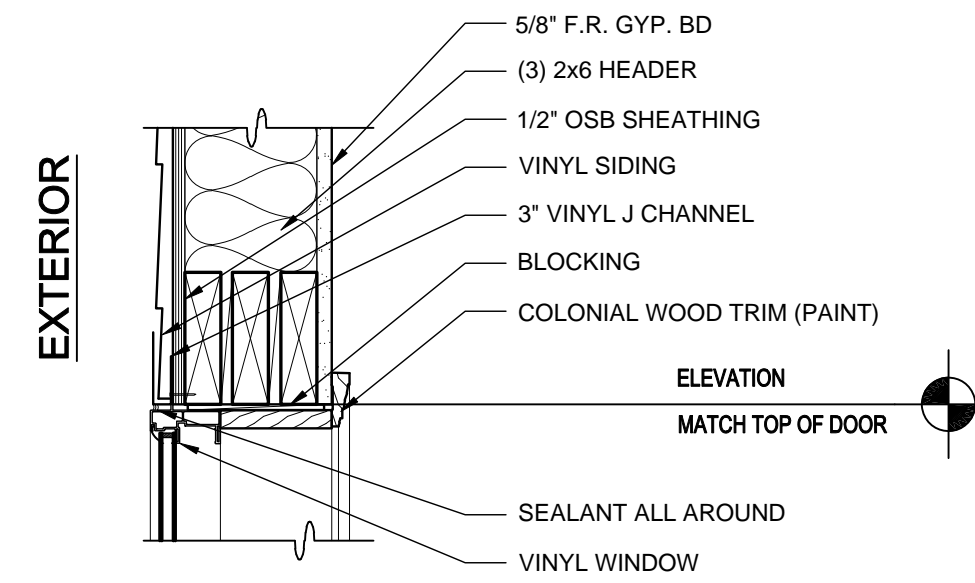
JAMB



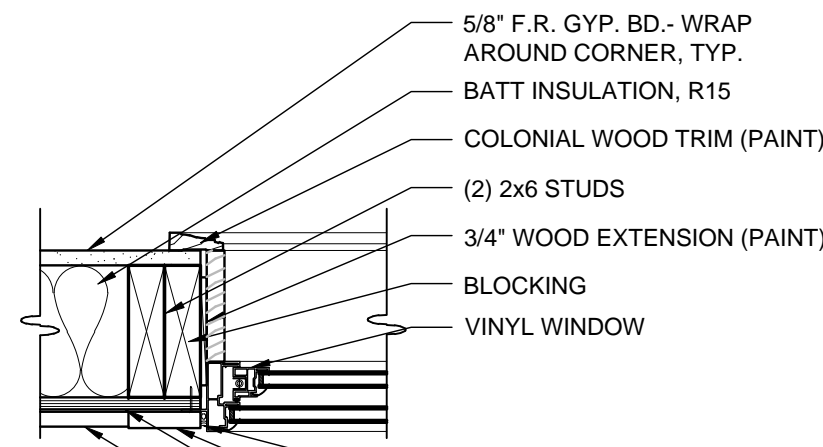
SILL

10 Aluminum Window Details

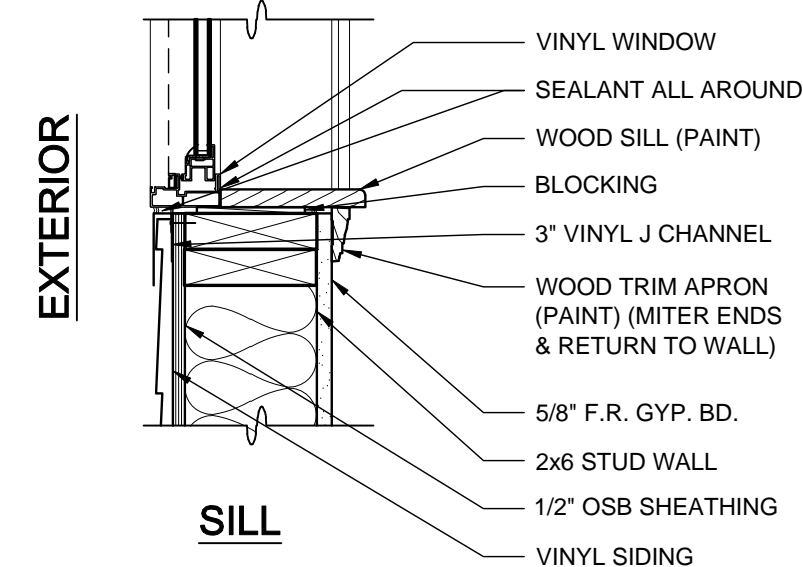
Scale: 1 1/2"=1'-0"



HEAD



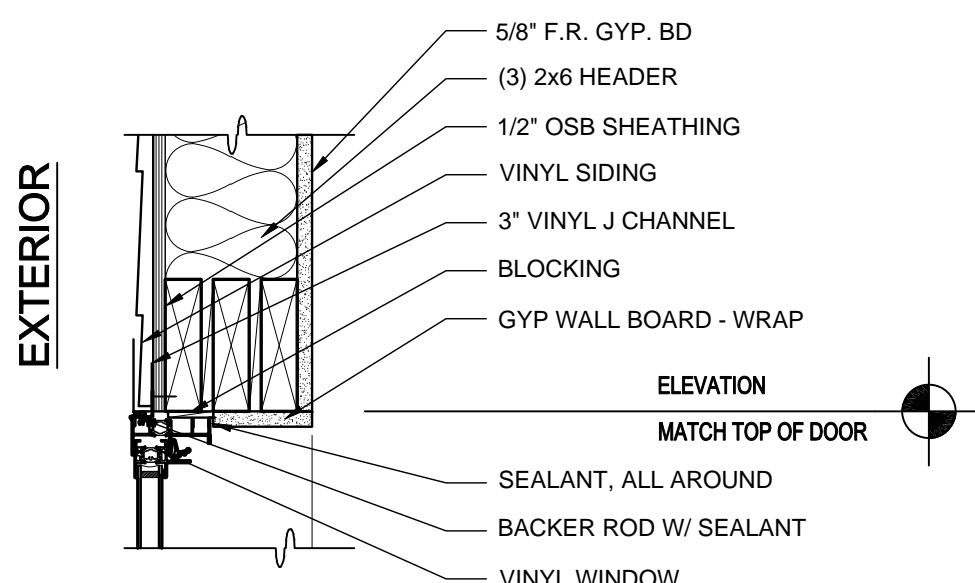
JAMB



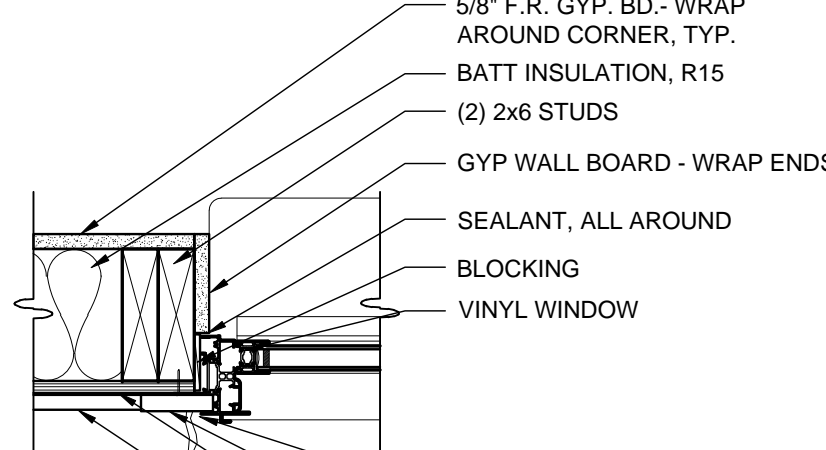
SILL

8 Typical Window Details (Siding)

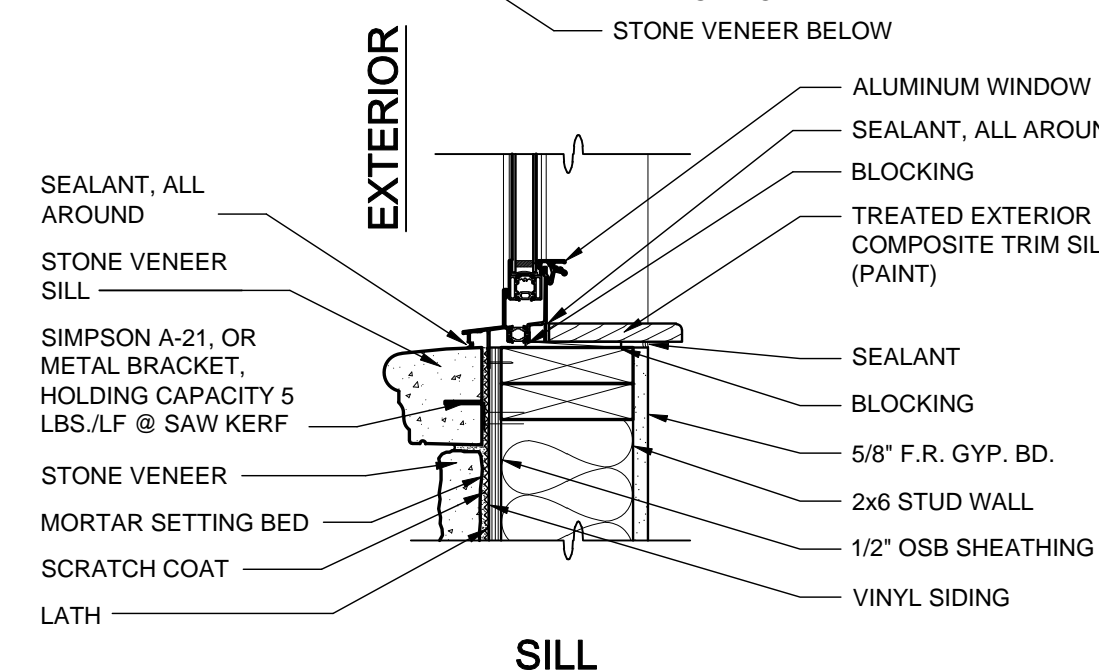
Scale: 1 1/2"=1'-0"



HEAD



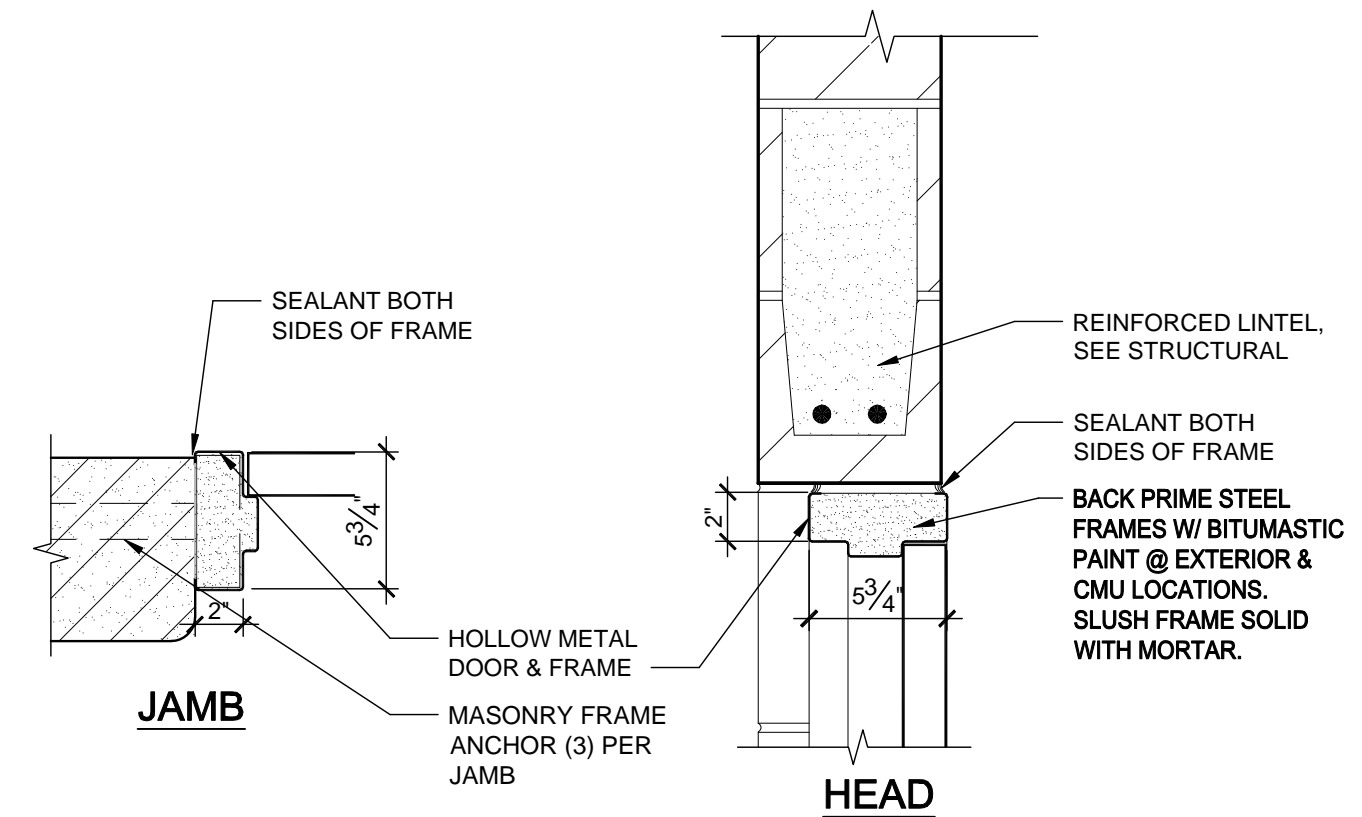
JAMB



SILL

9 Typical Window Details (Stone Veneer)

Scale: 1 1/2"=1'-0"

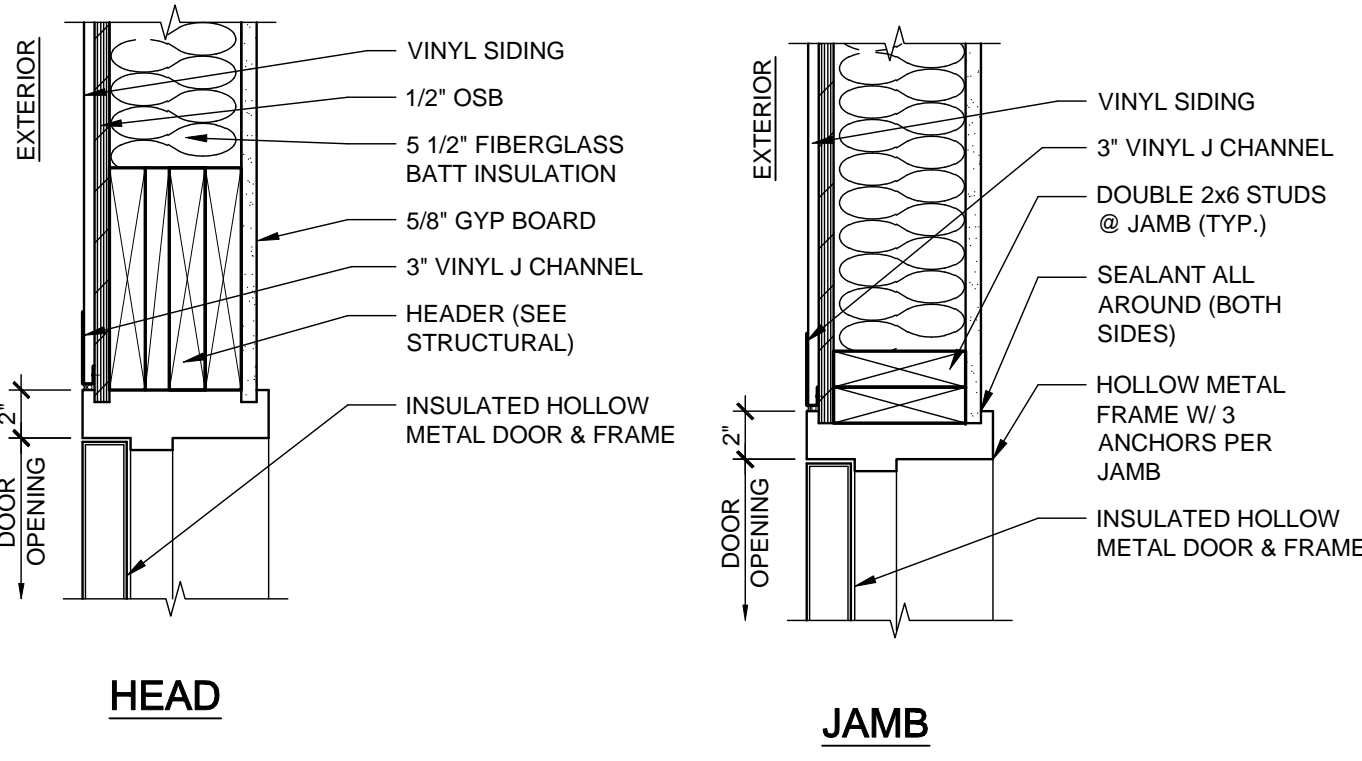


JAMB

HEAD

7 Interior Door (CMU)

Scale: 1 1/2"=1'-0"

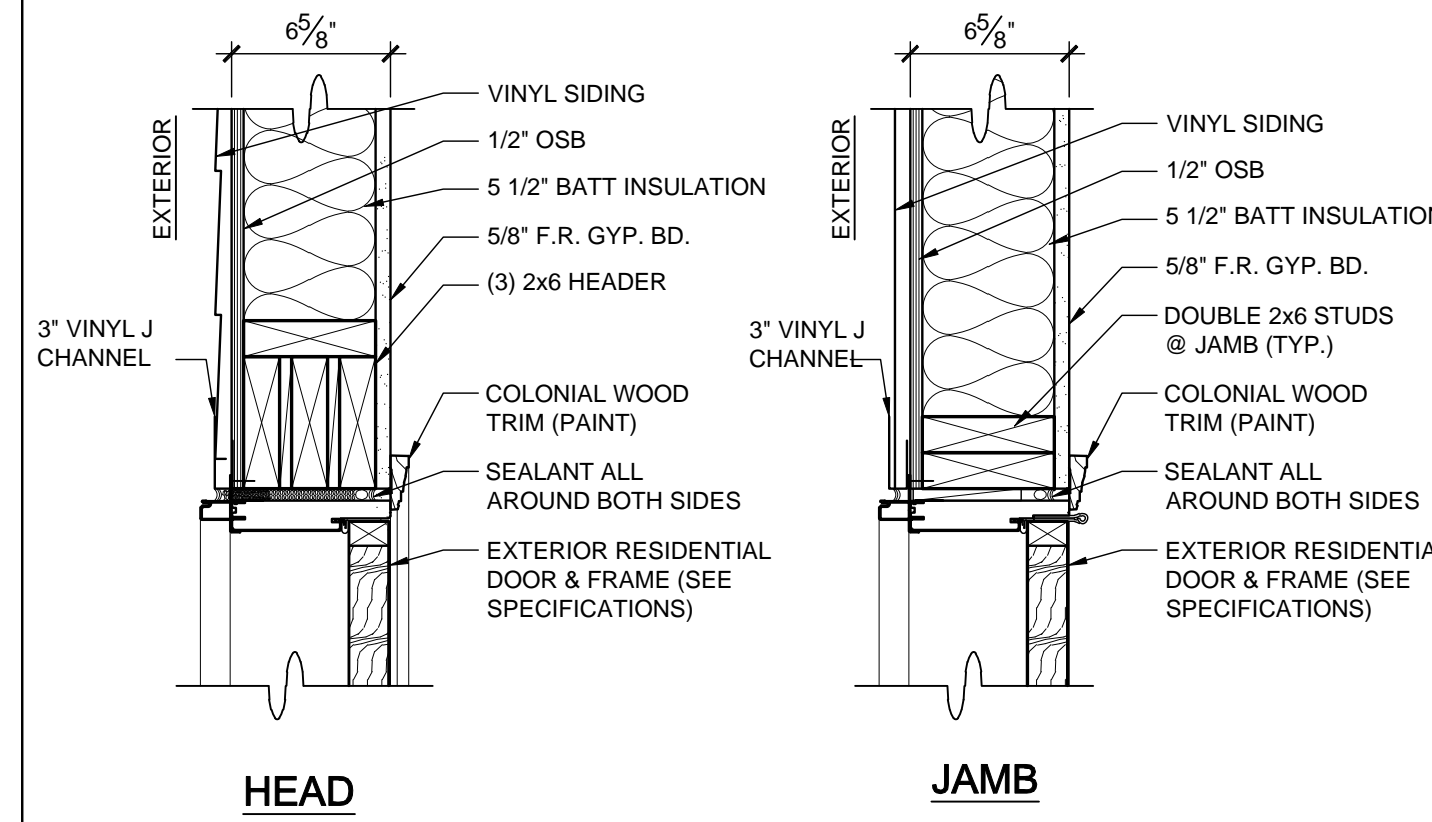


HEAD

JAMB

6 Exterior Hollow Metal Door Details

Scale: 1 1/2"=1'-0"

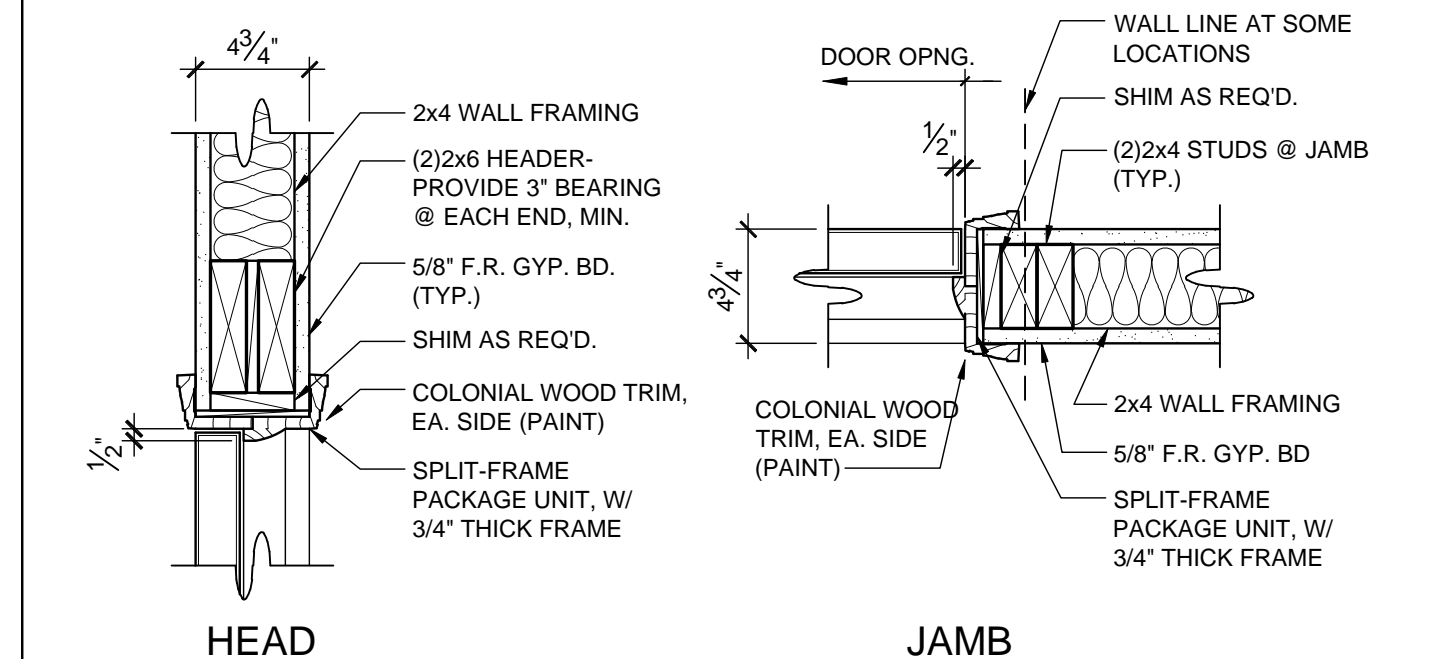


HEAD

JAMB

5 Exterior Residential Door Details

Scale: 1 1/2"=1'-0"

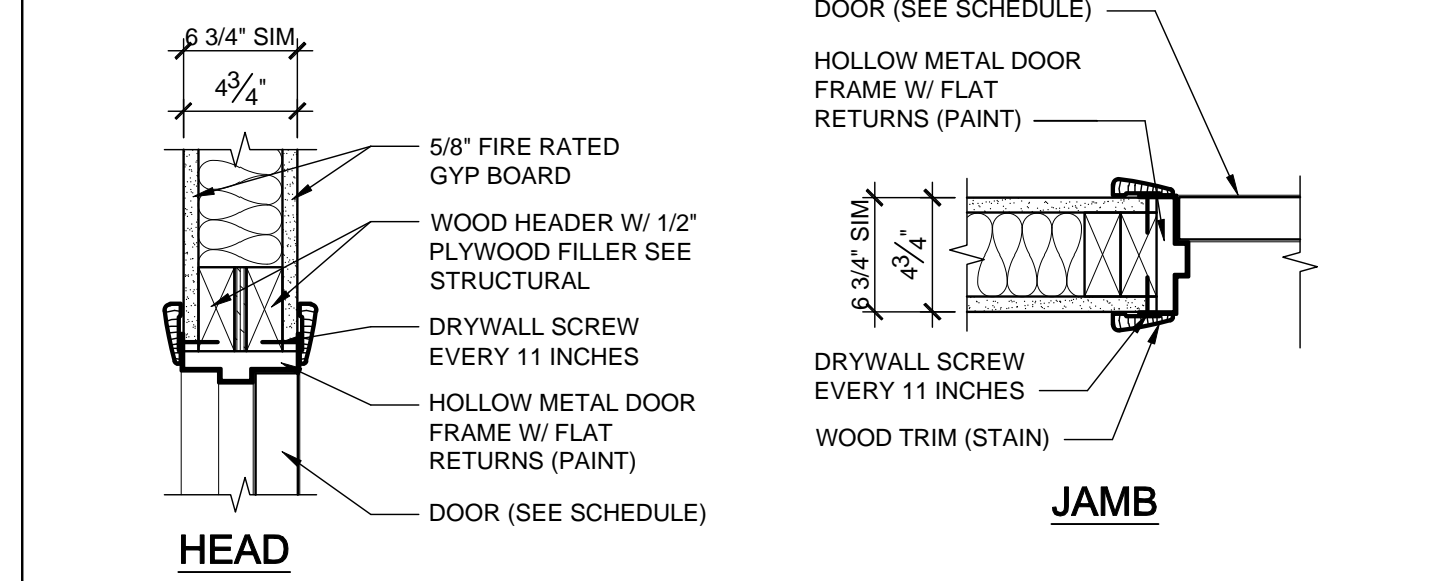


HEAD

JAMB

4 Interior Wood Door Details

Scale: 1 1/2"=1'-0"

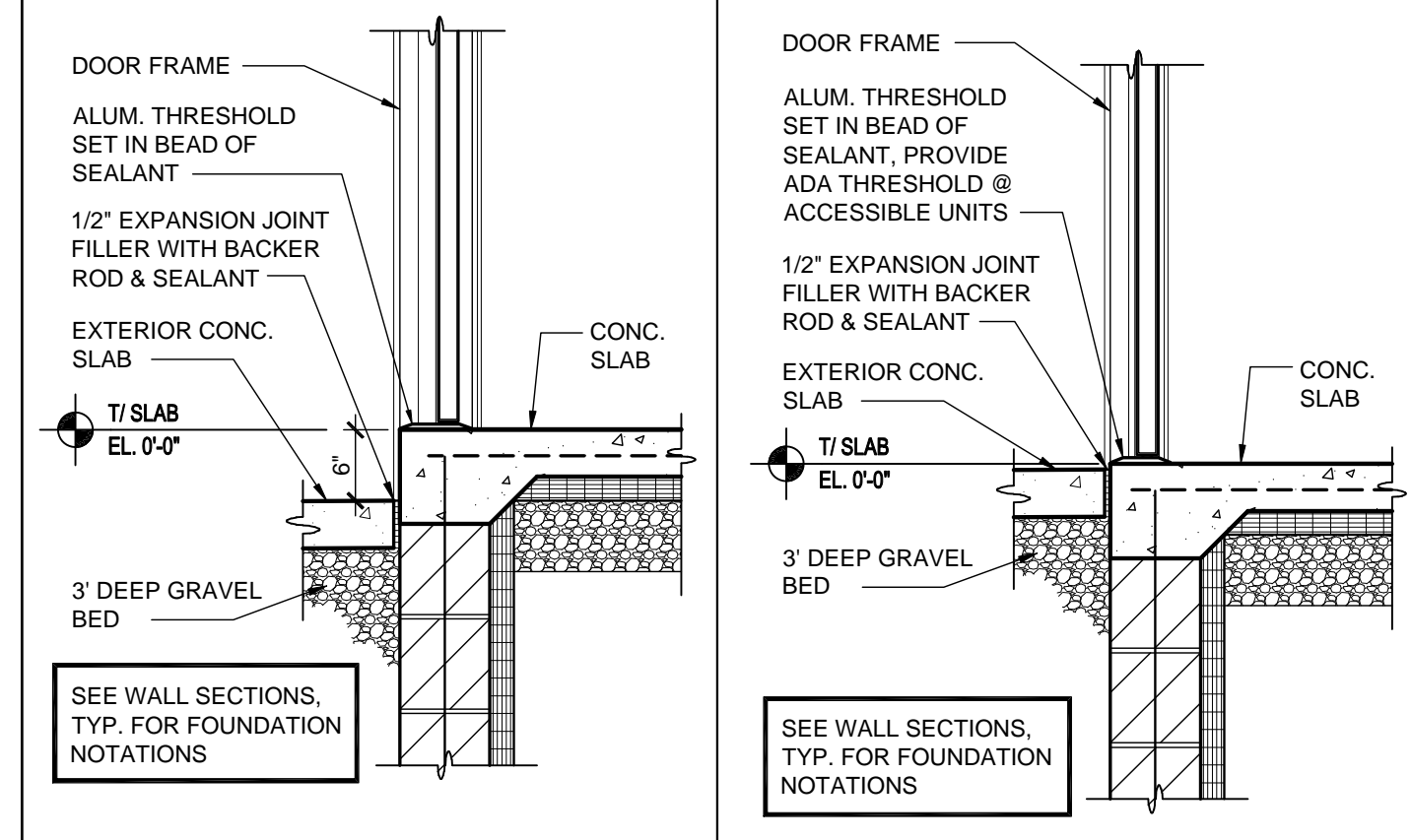


HEAD

JAMB

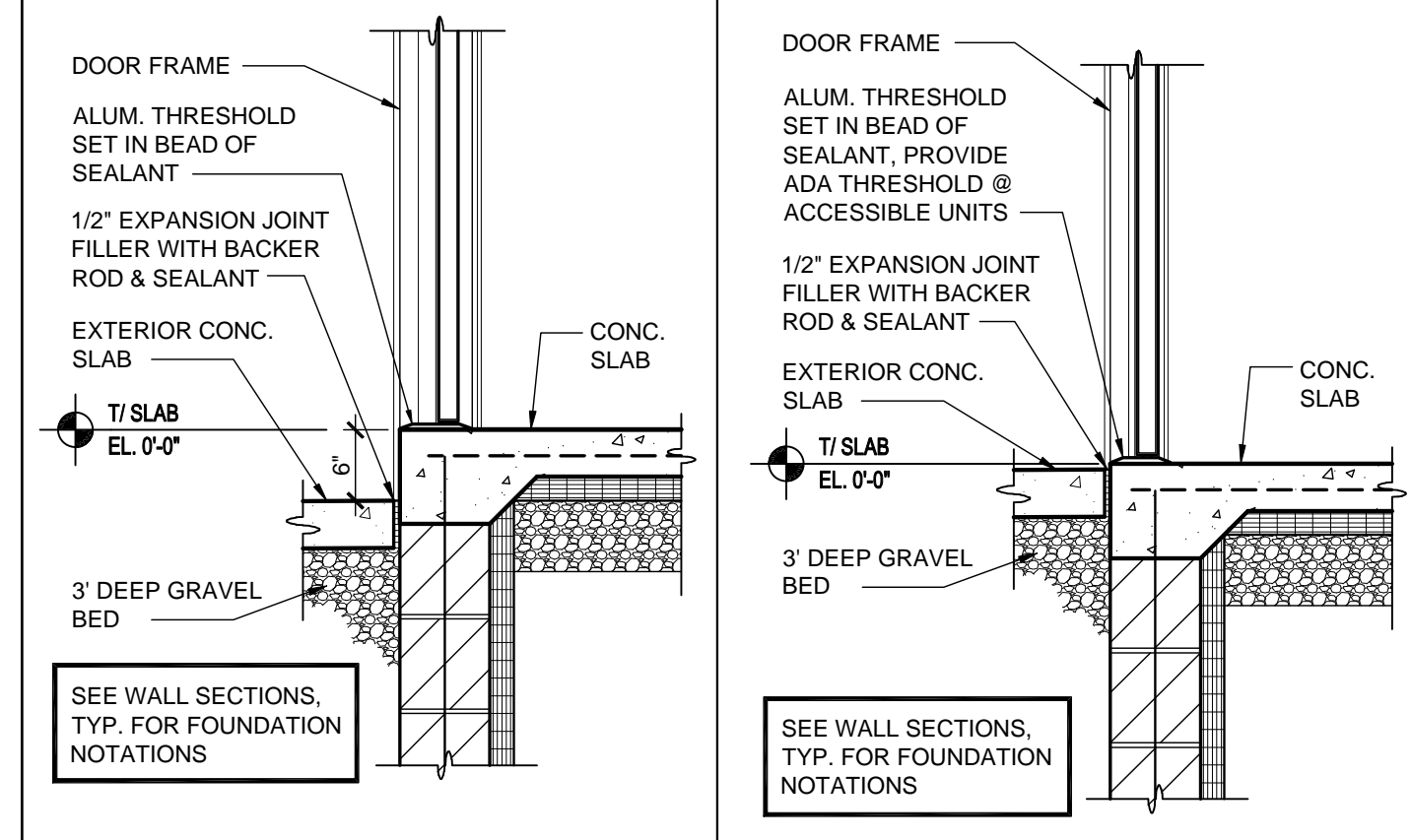
3 Interior Wood Door Details

Scale: 1 1/2"=1'-0"



2 Exterior Threshold Detail

Scale: 3/4"=1'-0"



1 Exterior Threshold Detail (Typ.)

Scale: 3/4"=1'-0"

ISSUE:
Date: Description:

Date:

Design/Drawn: KLD/DRD

Reviewed: EJB

Book No.:

SHEET TITLE:

DOOR & WINDOW DETAILS

SHEET NUMBER:

A7.2

SHEET - OF