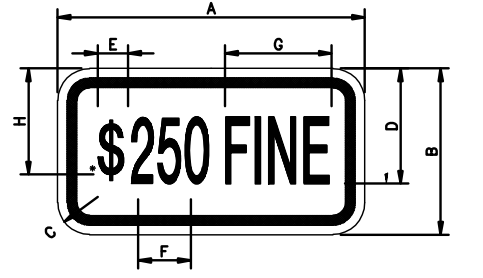


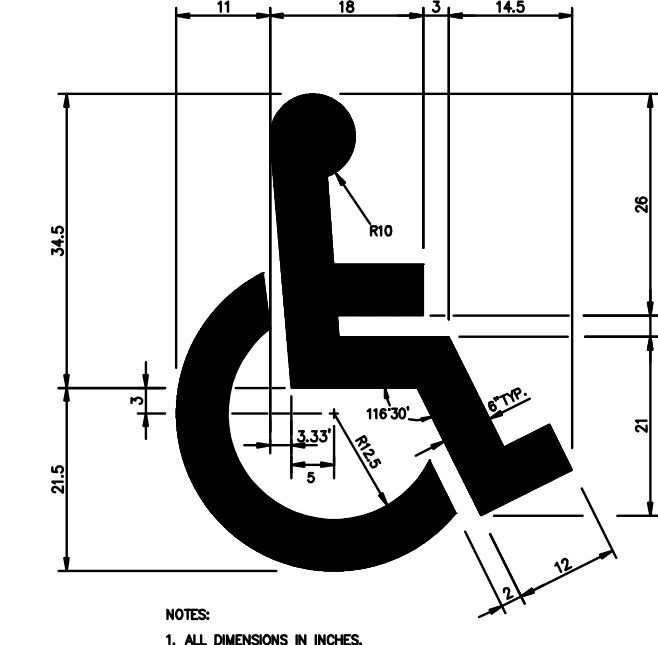
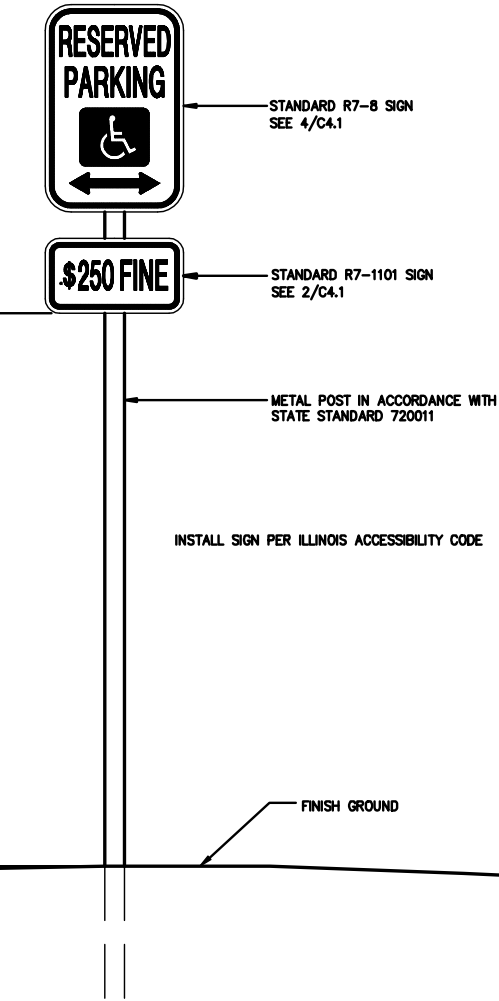
- NOTES:
- SIDEWALK SHALL BE TOOL JOINTED AT 5' MAXIMUM INTERVALS UNLESS NOTED OTHERWISE.
 - SUBGRADE TO BE COMPACTED TO A MINIMUM OF 95% STANDARD PROCTOR.
 - ALL CONCRETE SHALL BE CLASS SI - 3500 PSI.

1 SIDEWALK TYPE SPECIAL
Scale: -NTS-

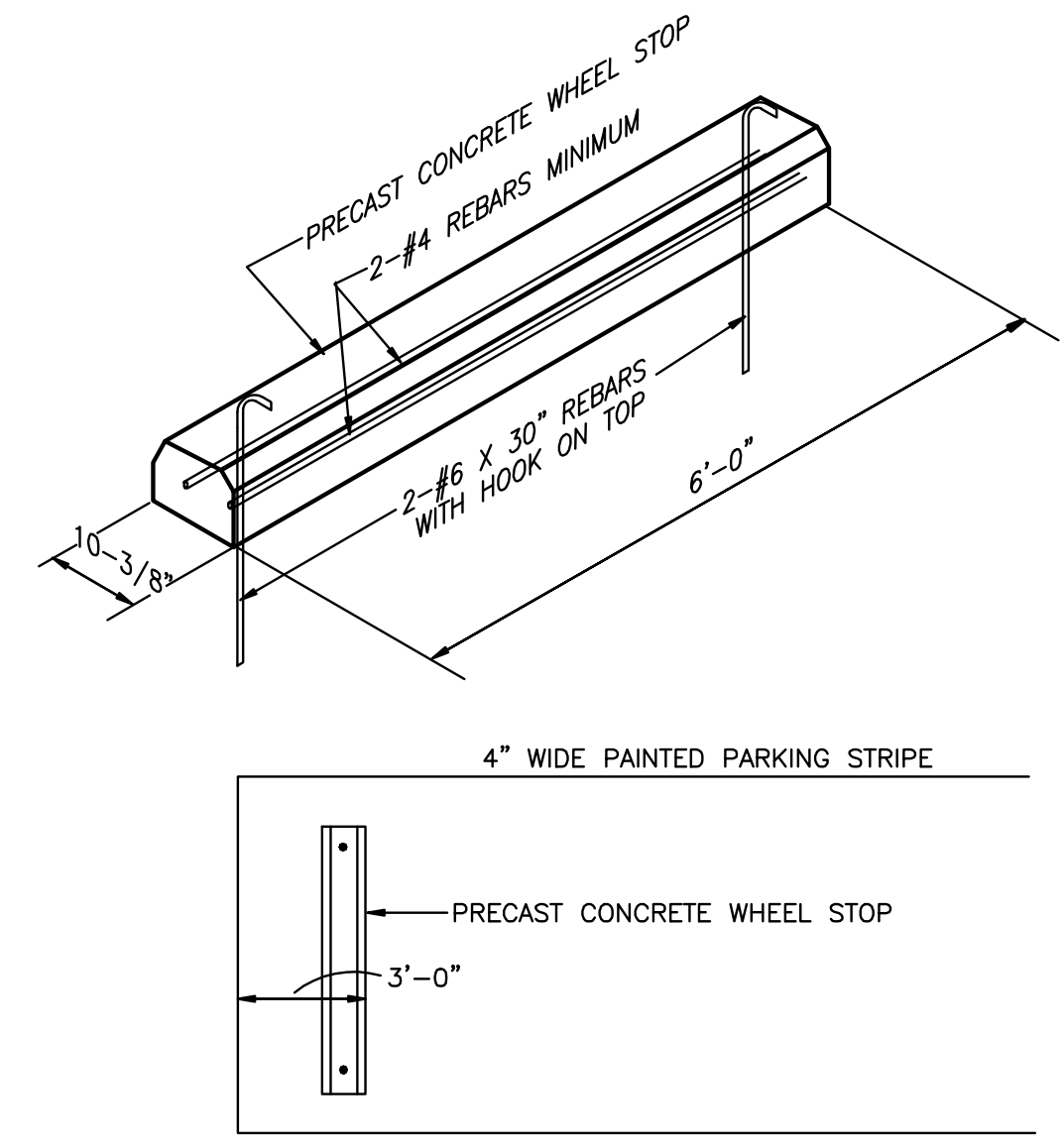


SIGN SIZE	DIMENSIONS							
	A	B	C	D	E	F	G	H
12x6	13.0	6.0	1.5	4.5	1.1	3.0	5.5	3.0
12x4	1/2A	0.37	0.37	0.37	0.37	0.37	0.37	0.37

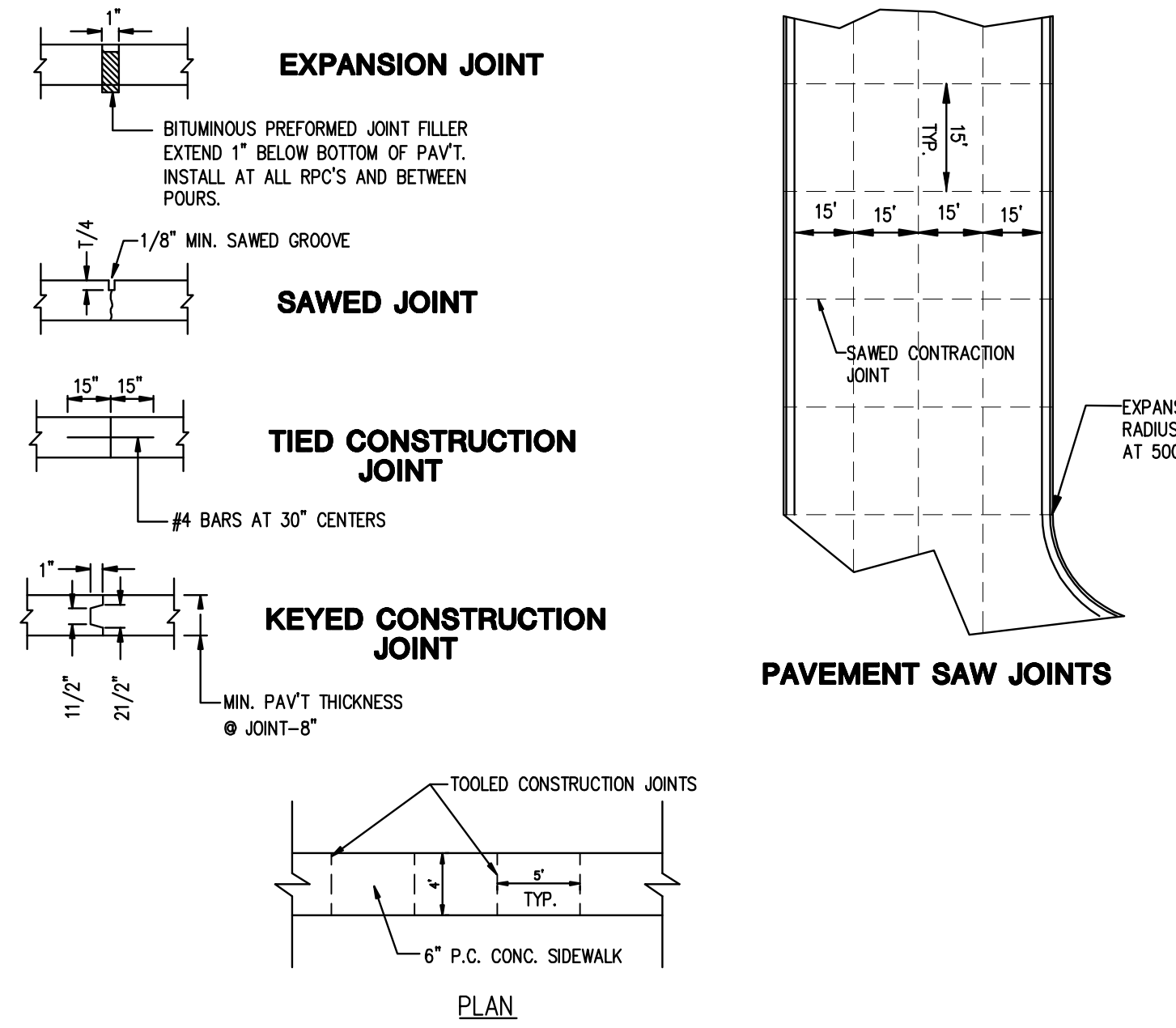
- NOTES:
- ALL DIMENSIONS IN INCHES. THIS SIGN TO BE USED WITH R7-1101.
 - THIS SIGN SHALL BE PLACED AT ALL HANDICAP PARKING SPACES.
 - THE ARROW SHOULD BE OMITTED WHERE THERE IS ONLY ONE SPACE. THE ROW MAY ALSO BE MADE TO POINT IN ONLY ONE DIRECTION. THE ARROW MAY ALSO BE REPLACED BY "TIME" SUCH AS 9 AM - 5 PM WHERE A PART TIME RESTRICTION EXISTS.
 - THIS IS A STANDARD SIGN AND MAY BE ORDERED FROM ANY TRAFFIC SIGN SUPPLIER BY NUMBER. THE ARROW SHOULD BE OMITTED WHERE THERE IS ONLY ONE SPACE. THE ARROW MAY ALSO BE MADE TO POINT IN ONLY ONE DIRECTION. THE ARROW MAY ALSO BE REPLACED BY "TIME" SUCH AS 9 AM - 5 PM WHERE A PART TIME RESTRICTION EXISTS. THE SIGN MUST BE SUPPLEMENTED WITH THE STANDARD R7-1101 PLATE SHOWING THE AMOUNT OF THE FINE FOR ILLEGALLY PARKING IN THE RESERVED SPACE(S).
 - COLORS:
LEGEND AND BORDER - GREEN
WHITE SYMBOL ON BLUE BACKGROUND
BACKGROUND - WHITE
- FOR A FINE OF \$200, USE F=4.0 AND G=4.0 (REDUCE LETTER TO LETTER SPACING AS NECESSARY TO FIT).
- LEGEND AND BORDER - GREEN NON-REFLECTORIZED
BACKGROUND - WHITE REFLECTORIZED
- * REDUCE SPACING SIZE ** SEE APPENDIX "C" FOR SYMBOL PROPORTIONS



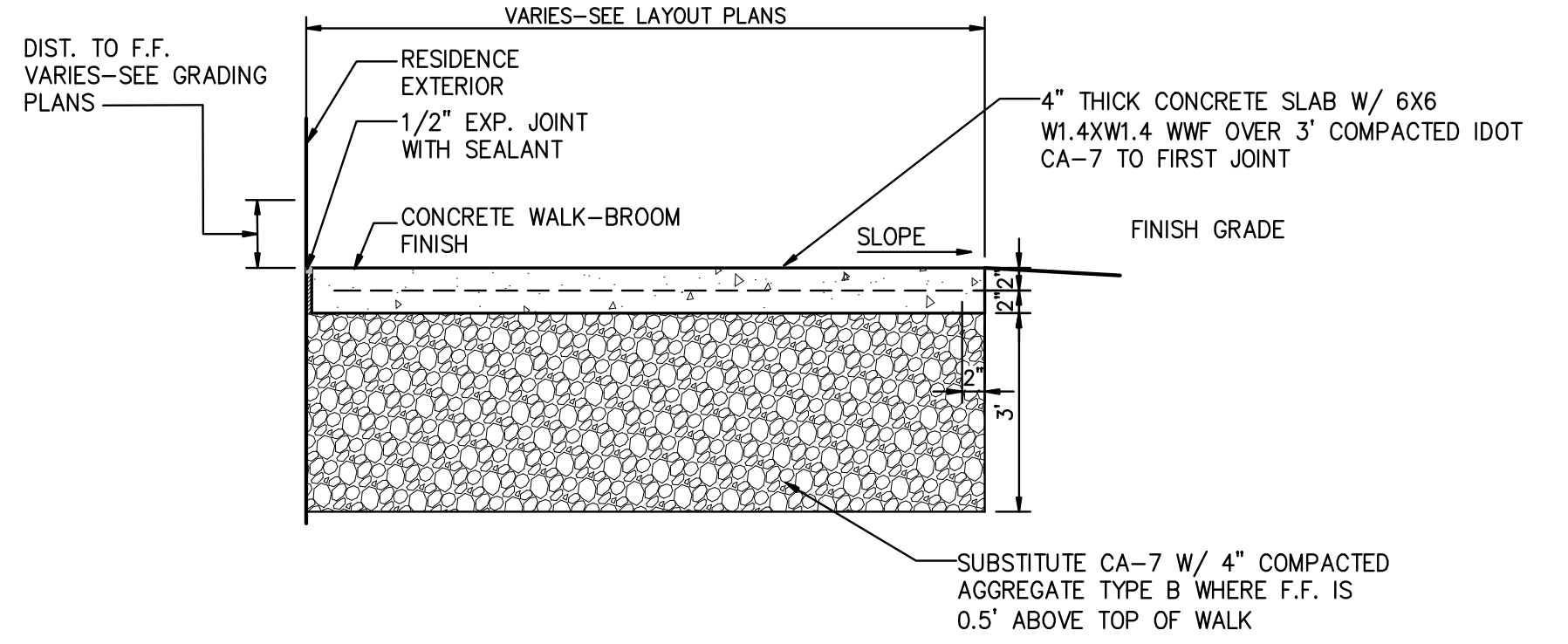
- NOTES:
- ALL DIMENSIONS IN INCHES.
 - THIS SIGN SHALL BE PLACED AT ALL HANDICAP PARKING SPACES.



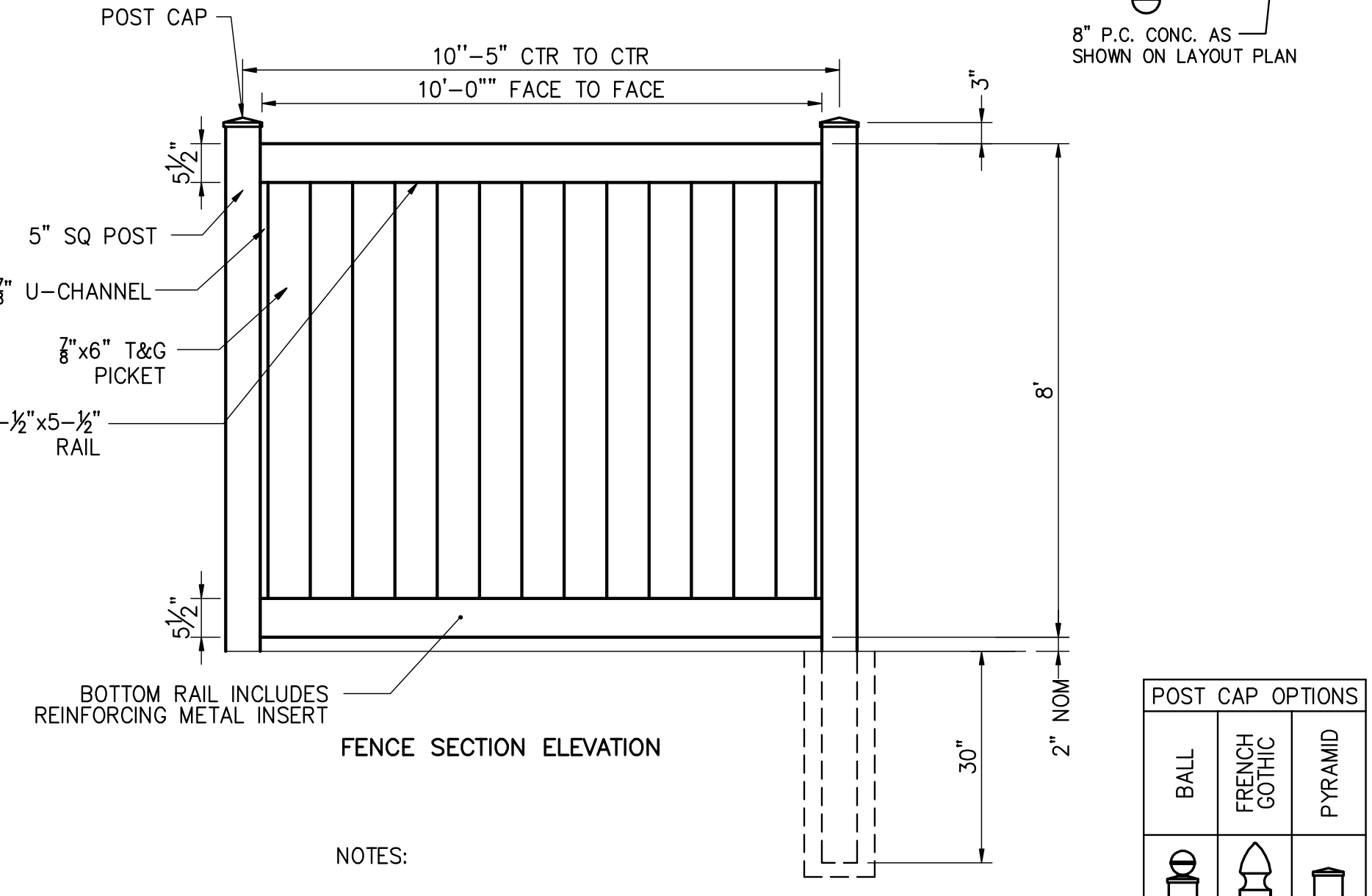
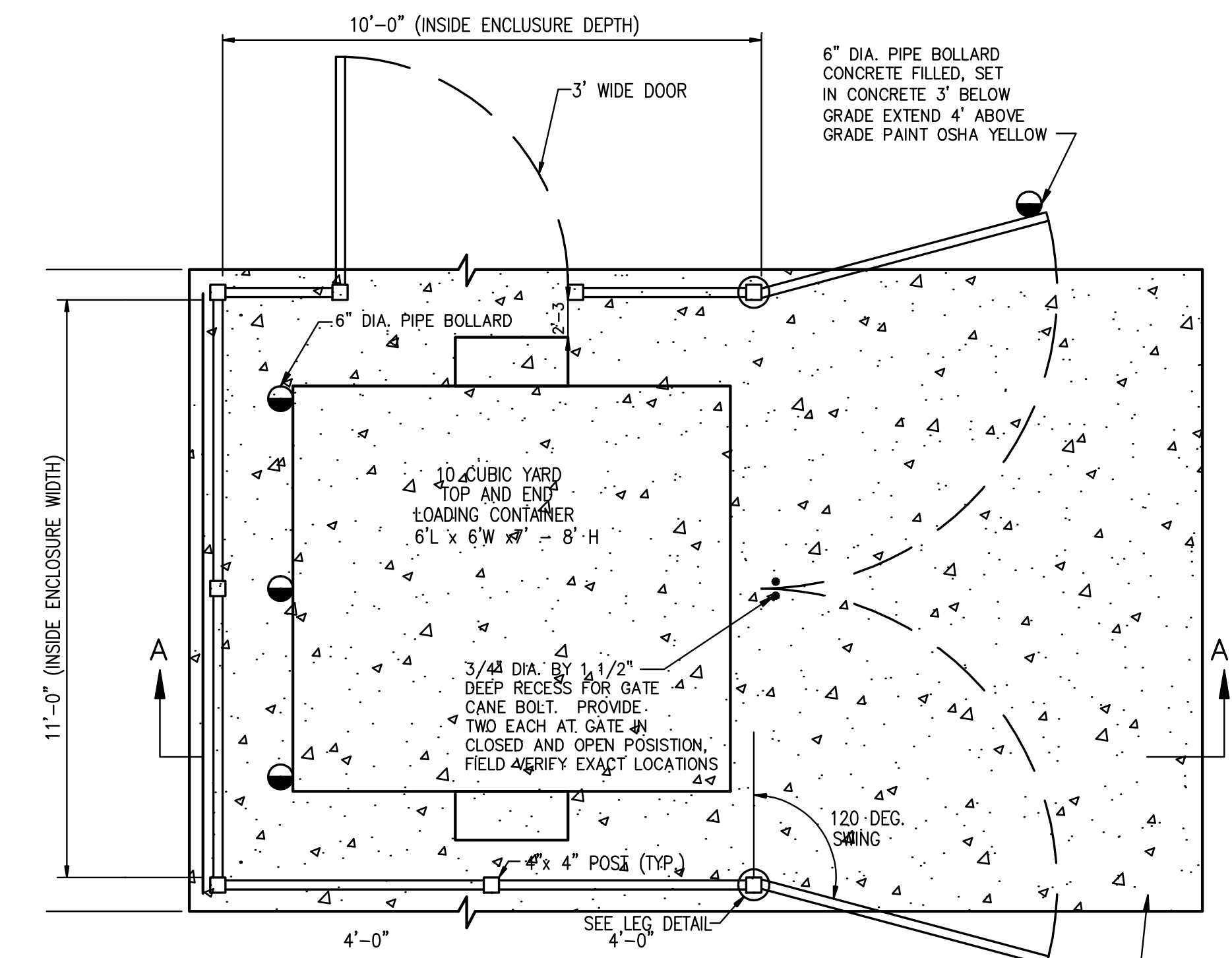
6 CONCRETE PARKING BLOCK DETAIL
Scale: -NTS-



2 SAW JOINT DETAIL
Scale: -NTS-



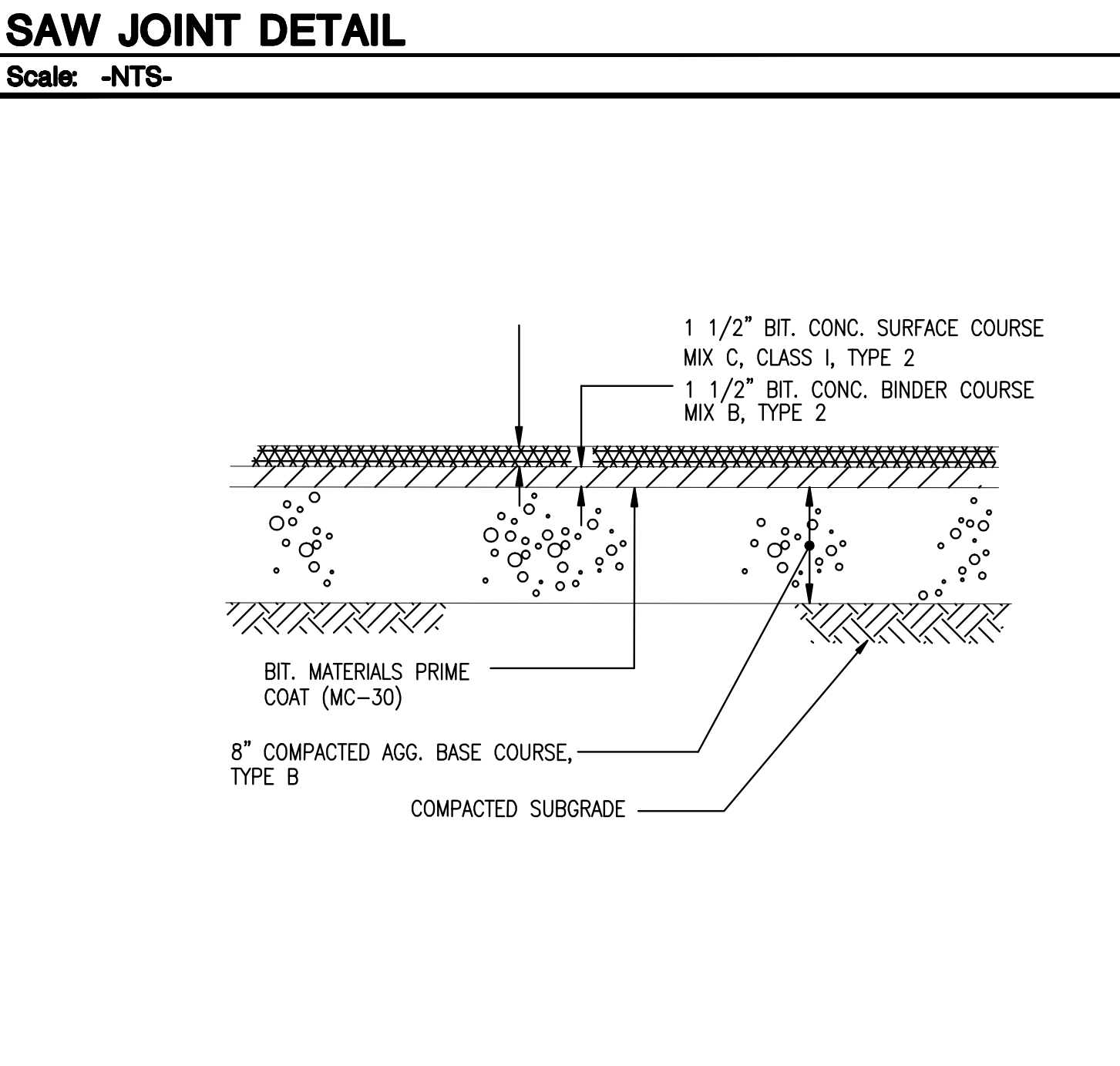
4 STOOP STYLE 'A' DETAIL
Scale: -NTS-



- NOTES:
- WHEN PROTECTION POSTS ARE TO BE USED FOR PROTECTION OF HANDICAP PARKING SIGNS OR OTHER TRAFFIC SIGNS, SIGN SUPPORTING POSTS SHALL BE INSTALLED A MINIMUM OF THREE (3) FEET INTO THE CONCRETE.
 - POST FOR HANDICAP PARKING STALLS SHALL BE PAINTED BLUE AS FOLLOWS:
A. SOLVENT CLEAN TO REMOVE OIL, GREASE AND OTHER CONTAMINANTS.
B. APPLY METAL PRIMER FOR GALVANIZED SURFACES.
C. APPLY TWO (2) FINISH COATS OF APPROVED EXTERIOR PAINT FOR METAL SURFACES.

5 BOLLARD DETAIL
Scale: -NTS-

7 DUMPSTER ENCLOSURE
Scale: -NTS-



3 BITUMINOUS CONCRETE PAVEMENT
Scale: -NTS-

XRef Files: I:\erethon\p\peoria housing authority\2009\0090282.00-pla - harrison phase 2 office & seniors\dwg\sheets\PHA SITE DETAILS.DWG | DATE: 07/10/2009 | Time: 10:41